

P23-027 The Range Stowmarket

Drawing Register: Dexion Material Handling Ltd

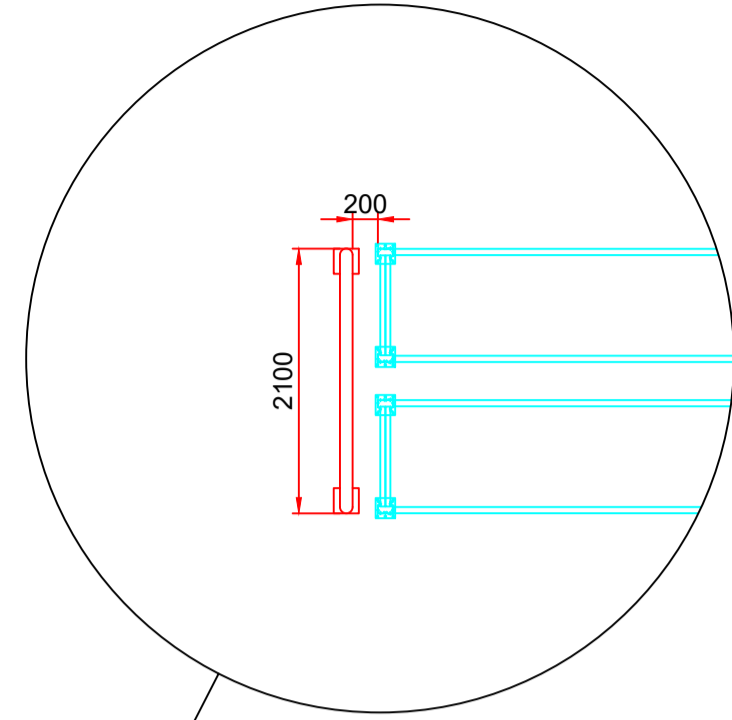
*Please note: All drawings listed below are hyperlinked to the drawings listed.
Please click on the drawing title to go directly to the drawing of your choice.*

Works Completed: Racking

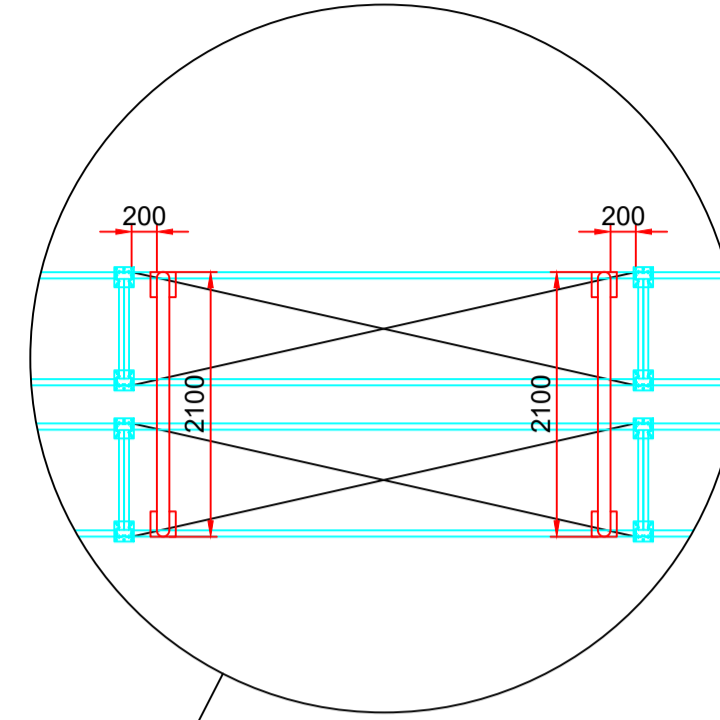
Drawing No.	Drawing Title	Rev
23-0567-501b	Phase 1 Install Details	
23-0567-502b	Phase 2 Install Details	
23-0567-504b	Phase 4 Install Details	
23-0567-505b	Phase 5 Install Details	

DO NOT SCALE

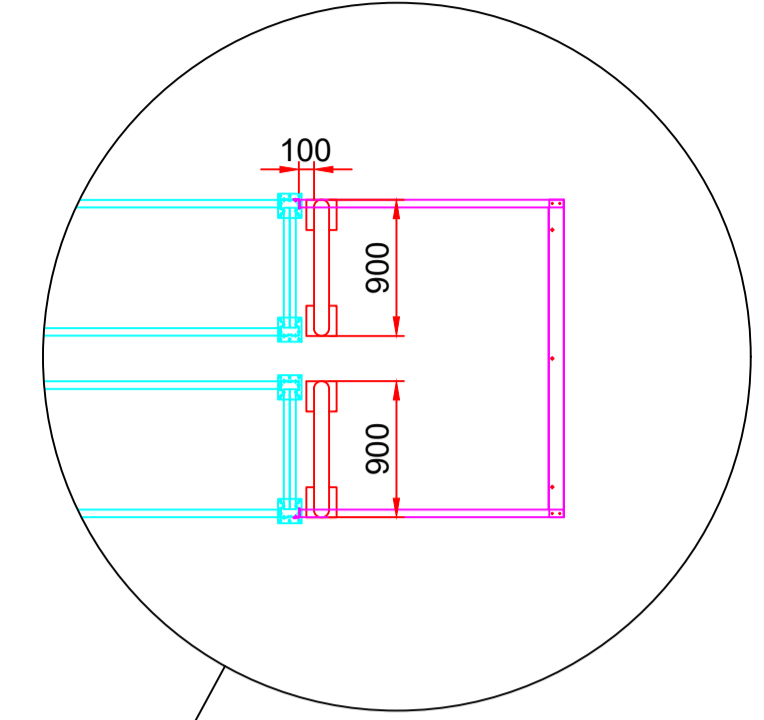
SOUTH END PROTECTION



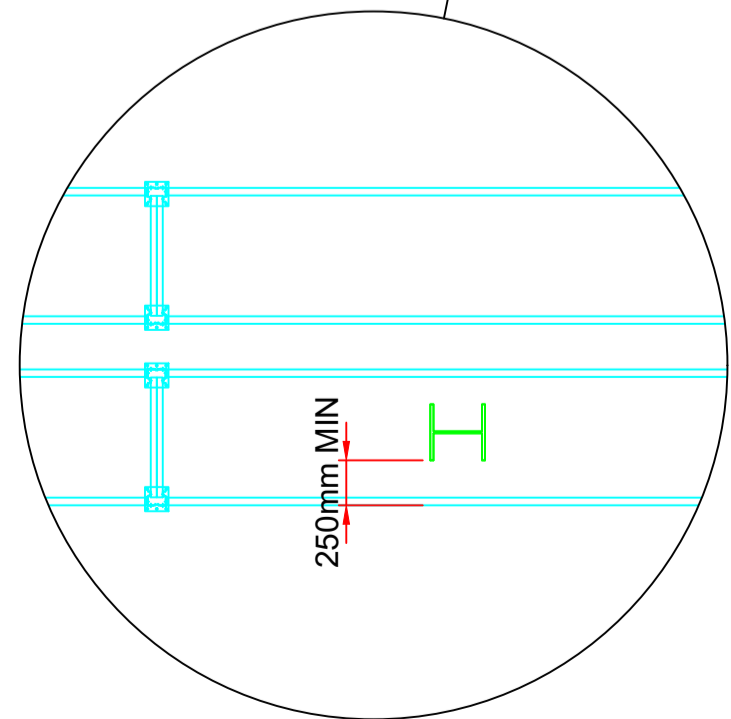
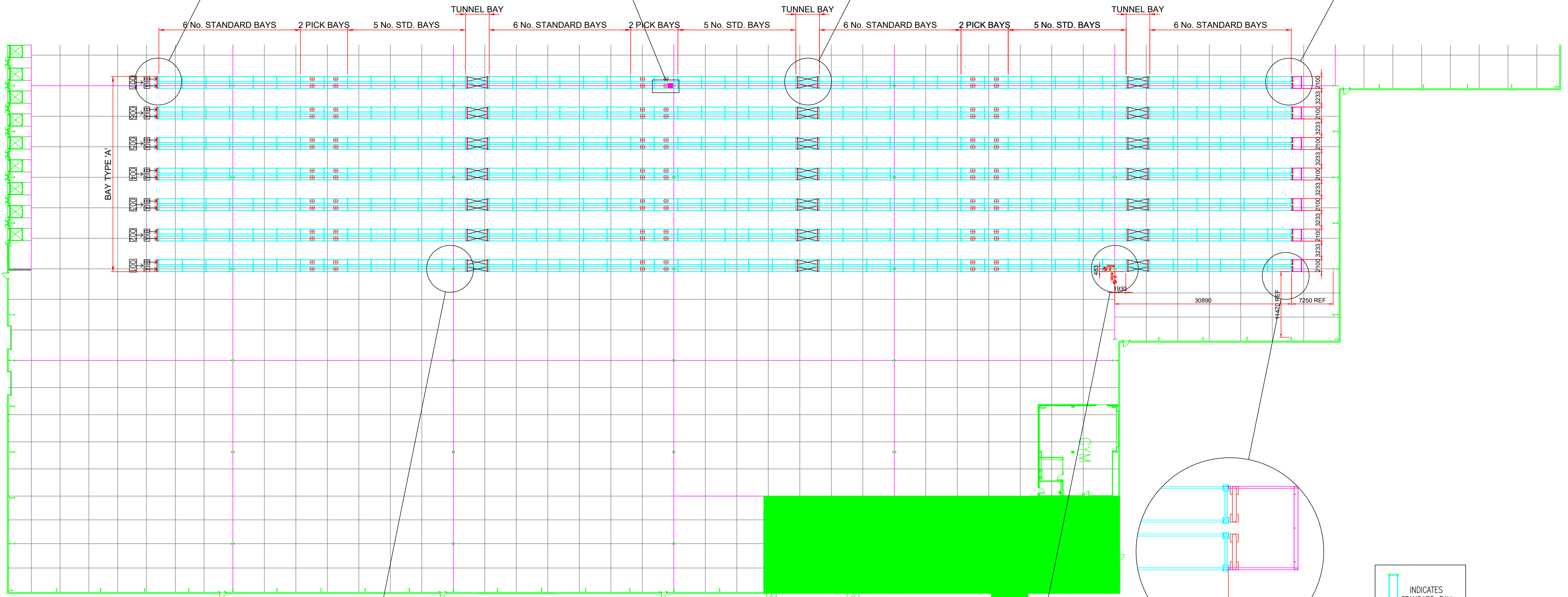
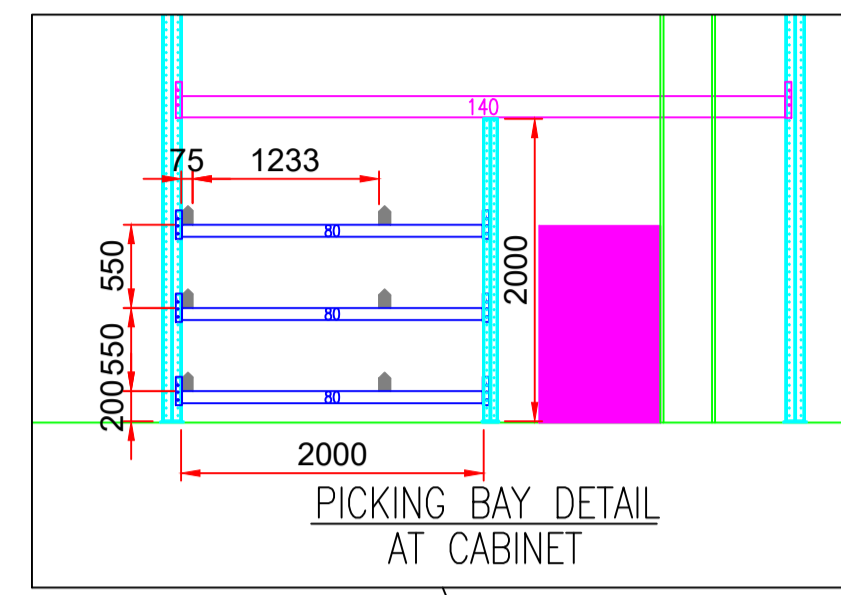
TUNNEL BAY PROTECTION



CANTI-LEVER SPRINKLER SUPPORTS



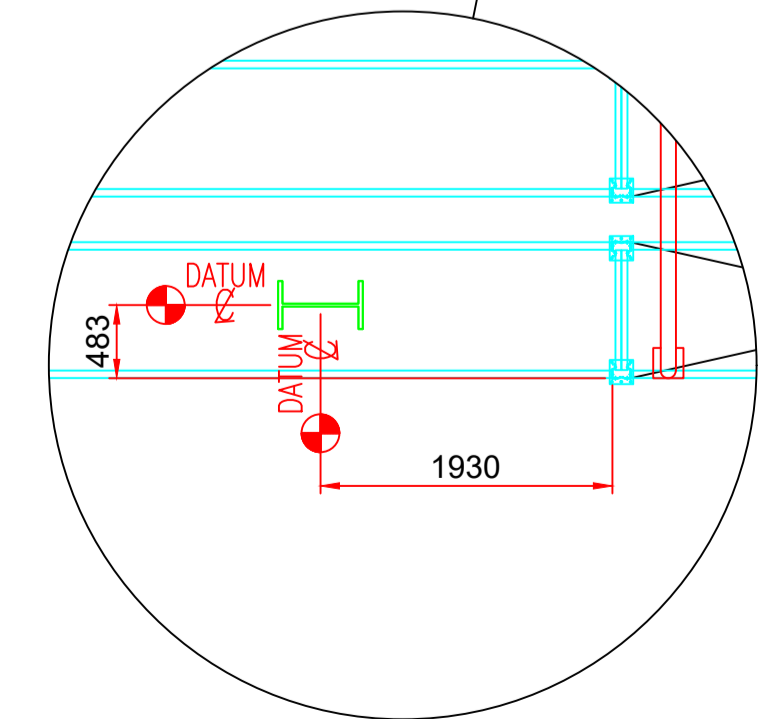
NOTE:
FIT 'PROTECT-ITS' TO
ALL AISLE FACING UPRIGHTS



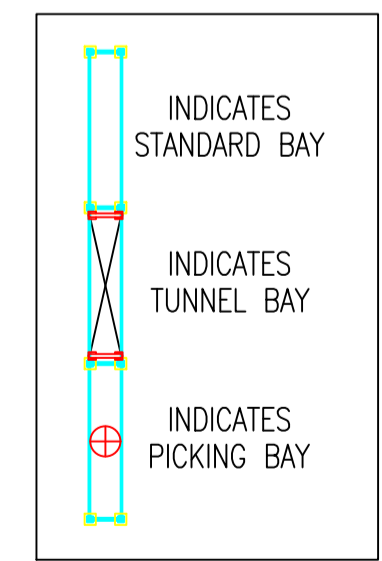
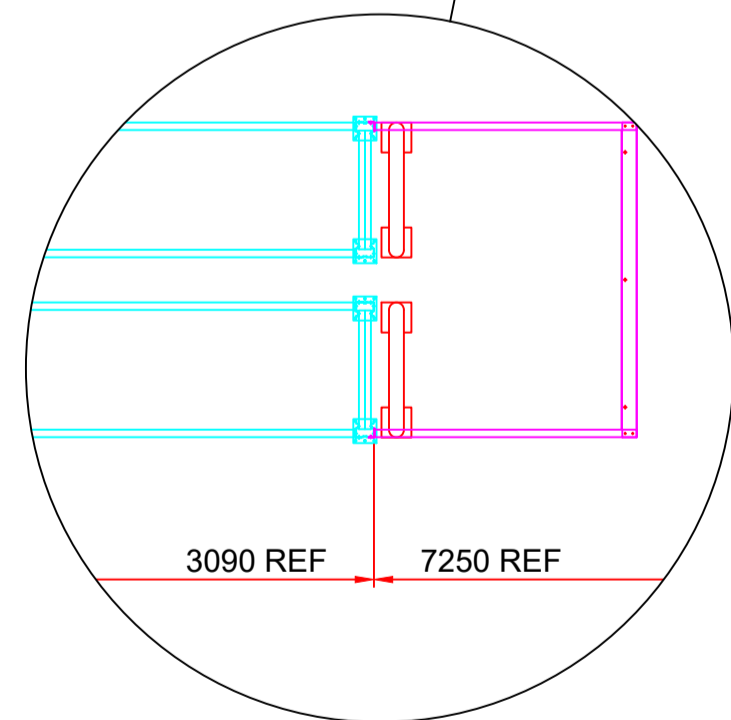
COLUMN CLEARANCE
CLEAR DIMENSION FROM BEAM
OUTSIDE FACE TO COLUMN EDGE TO
BE 250mm MINIMUM.

BAY TYPE 'A'
(DRG.No:23-0567-511)
FRAMES ARE TYPE '1'

LIGHT BLUE on PLAN



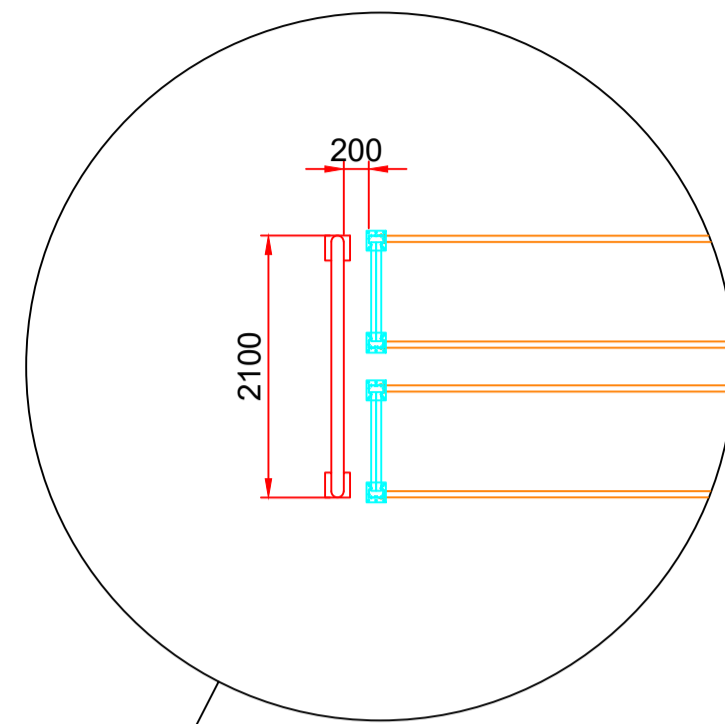
RACK SETTING OUT DETAIL



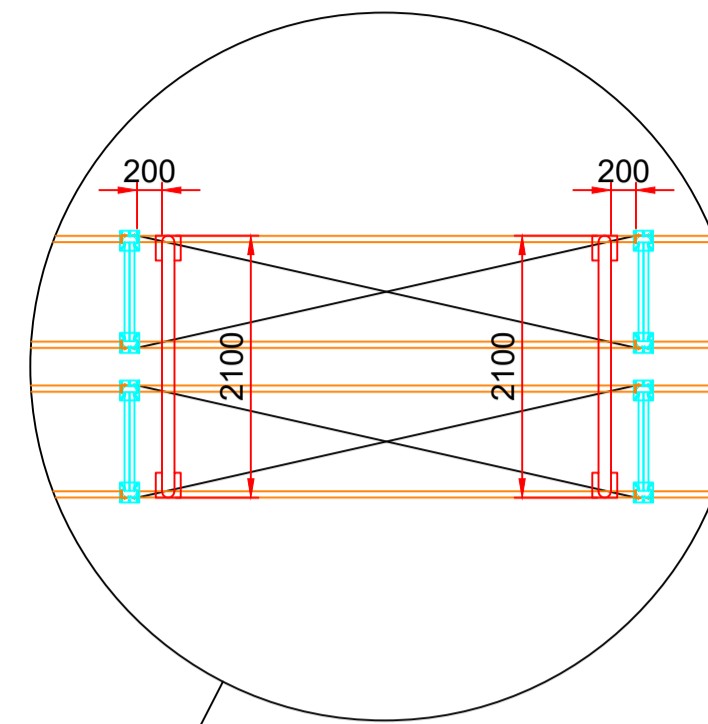
B	AS BUILT	SRW	11/07/24
A	INITIAL ISSUE	SRW	22/03/24
Rev. no.	Rev. note	By	Date
Designed by: SRW	Approved by:	Date: 22-03-2024	Sheet: Project: Scale:
Dexion Gonwerk Material Handling		PHASE 1 INSTALL DETAILS for THE RANGE at STOWMARKET	
Dexion Material Handling Ltd Murdock Road, Dorcan Swindon SN3 9HY		Tel: +44 870 224 0220 Fax: +44 870 224 0221 E-mail: enquiries@dexion.co.uk	
Drawing no: 23-0567-501b		Drawn by:	
<small>This drawing and design is the copyright of Dexion Material Handling Ltd, and must not be reproduced in part or in whole without prior written consent, ref. UK legislation.</small>			

DO NOT SCALE

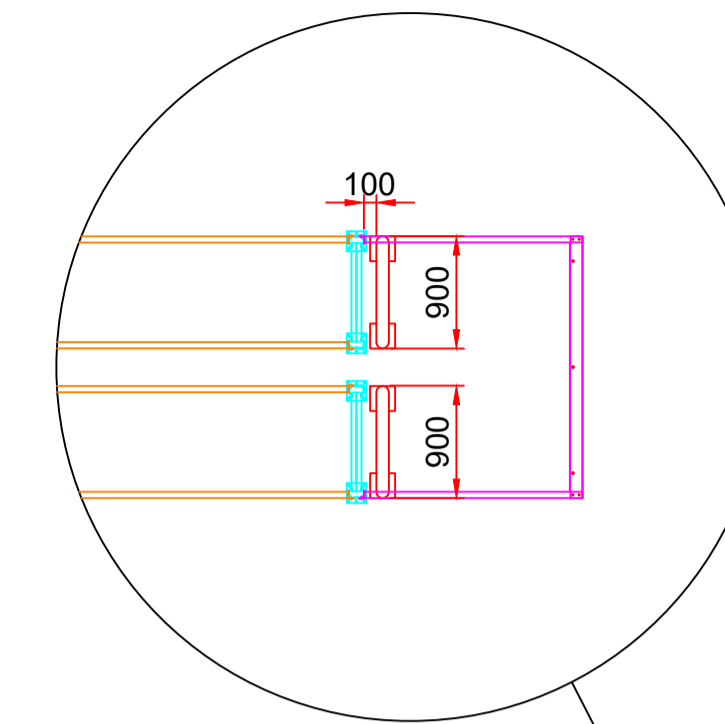
SOUTH END PROTECTION



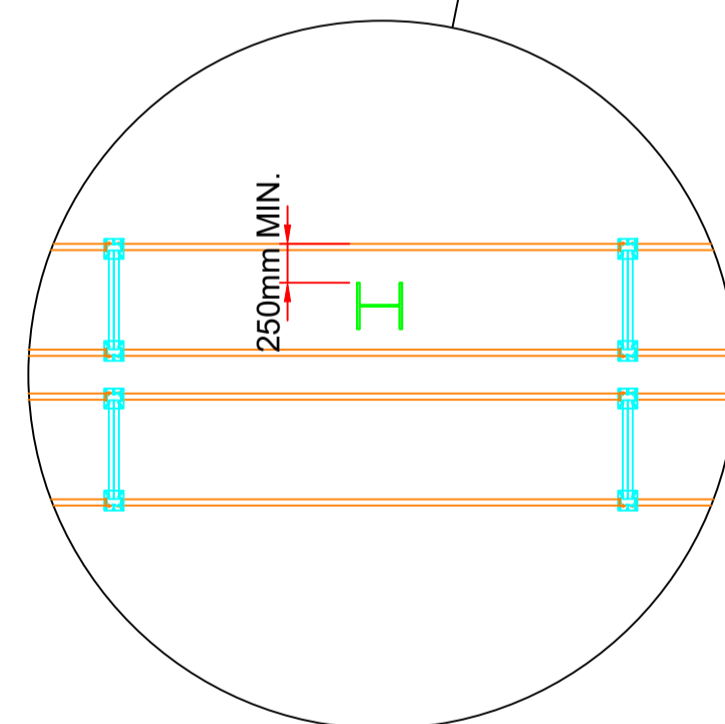
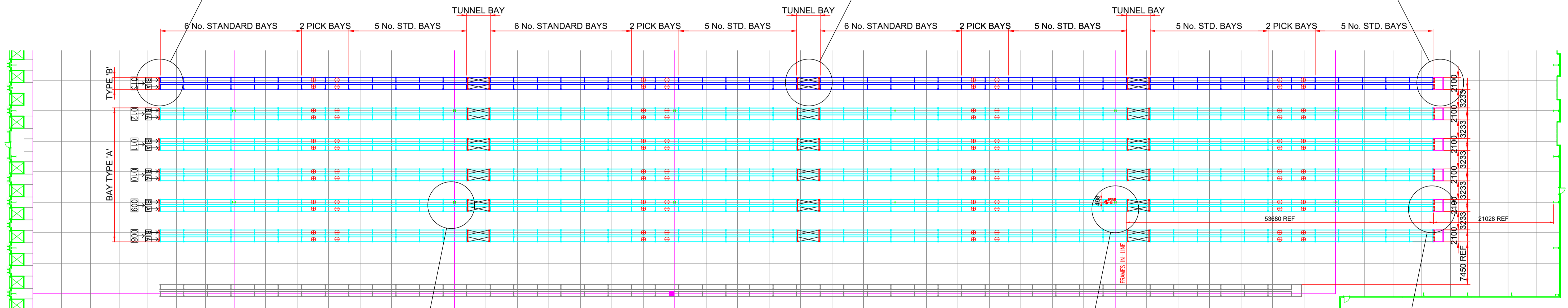
TUNNEL BAY PROTECTION



CANTI-LEVER SPRINKLER SUPPORTS



NOTE:
FIT 'PROTECT-ITS' TO
ALL AISLE FACING UPRIGHTS

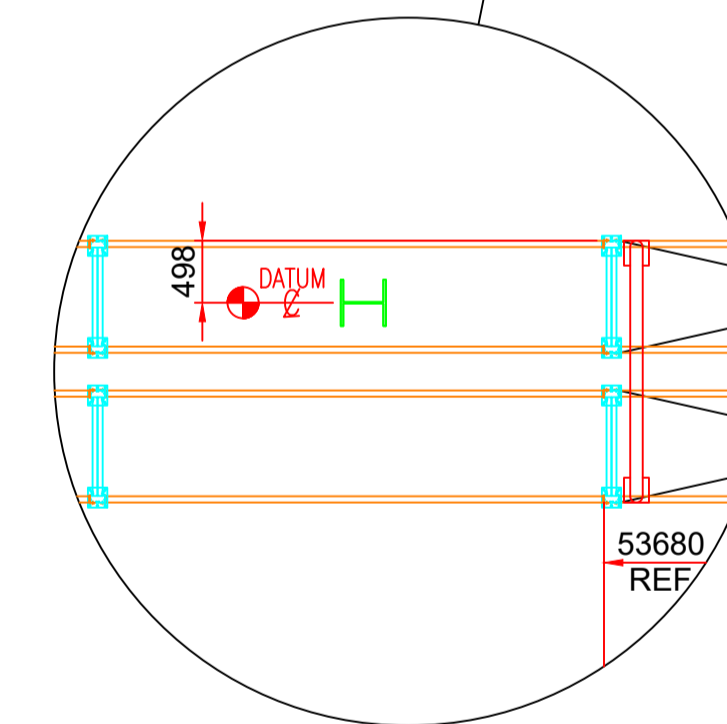


COLUMN CLEARANCE
CLEAR DIMENSION FROM BEAM
OUTSIDE FACE TO COLUMN EDGE TO
BE 250mm MINIMUM.

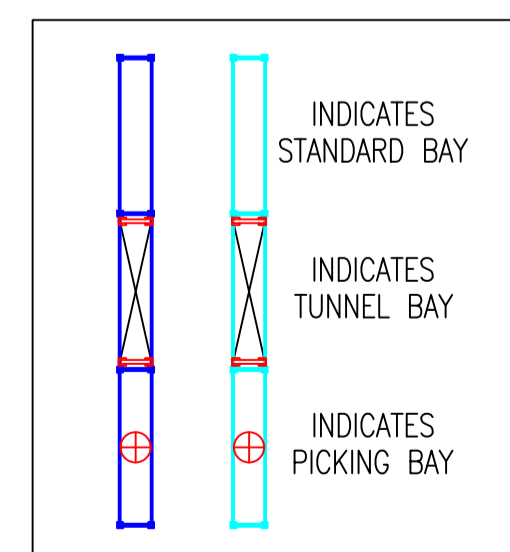
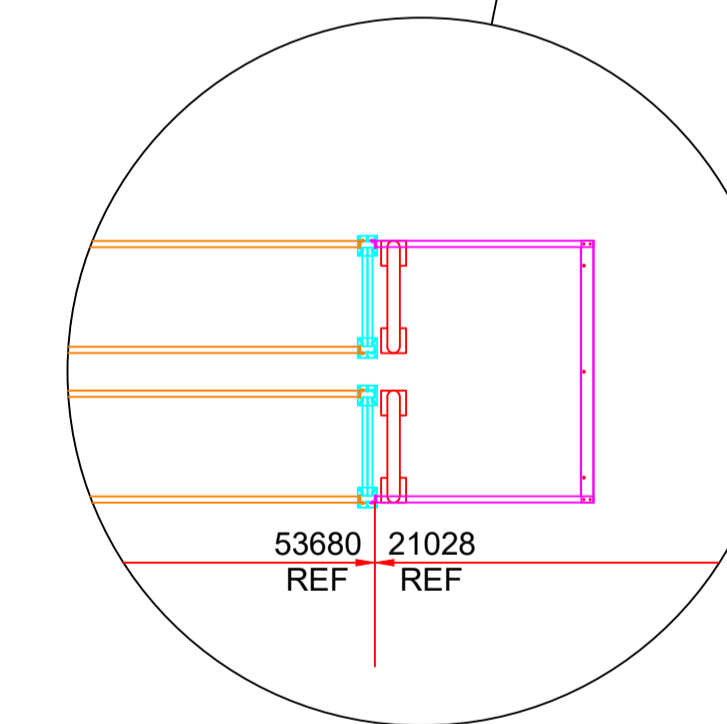
BAY TYPE 'B'
(DRG.No:23-0567-512)
FRAMES ARE TYPE '2'



BAY TYPE 'A'
(DRG.No:23-0567-511)
FRAMES ARE TYPE '1'



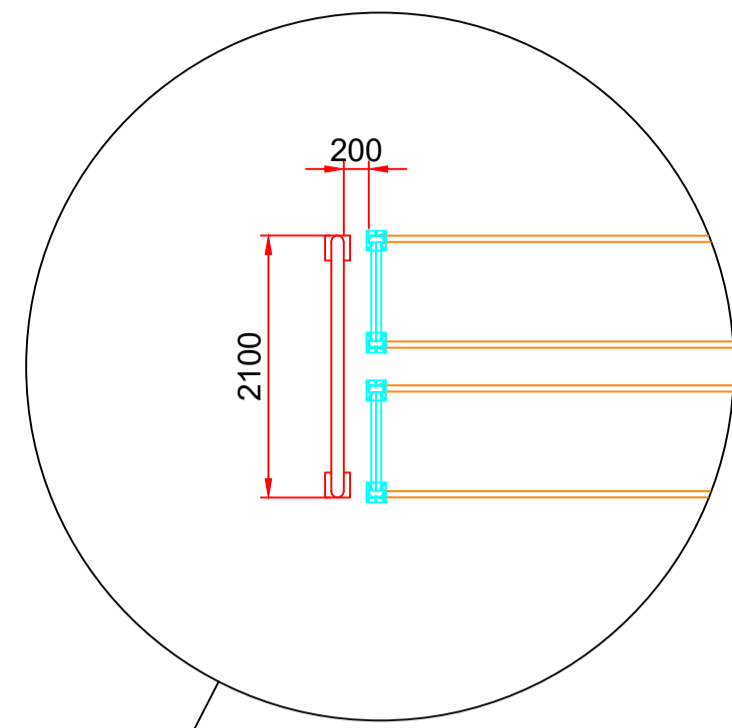
RACK SETTING OUT DETAIL



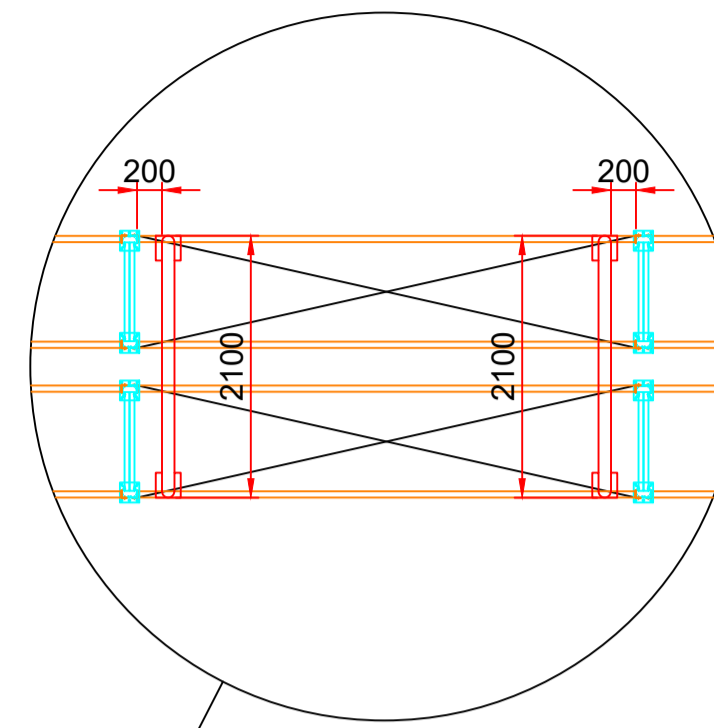
B	AS BUILT	srw	11/07/24
A	INITIAL ISSUE	SRW	22/03/24
Rev. no.	Rev. note	By	Date
Designed by: SRW	Approved by:	Date: 22-03-2024	Sheet: Project: Scale:
Dexion Gonwerk (Material Handling)		PHASE 2 INSTALL DETAILS for THE RANGE at STOWMARKET	
Dexion Material Handling Ltd Murdock Road, Dorcan Swindon SN3 9HY		Tel: +44 870 224 0220 Fax: +44 870 224 0221 E-mail: enquiries@dexion.co.uk	
Drawing no: 23-0567-502b		Drawn by:	
This drawing and design is the copyright of Dexion Material Handling Ltd, and must not be reproduced in part or in whole without prior written consent, ref. UK legislation.			

DO NOT SCALE

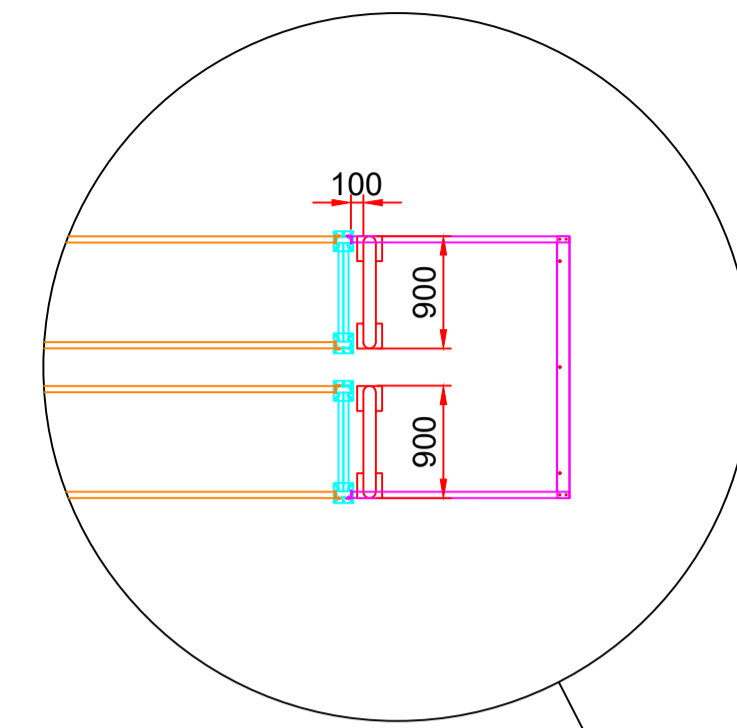
SOUTH END PROTECTION



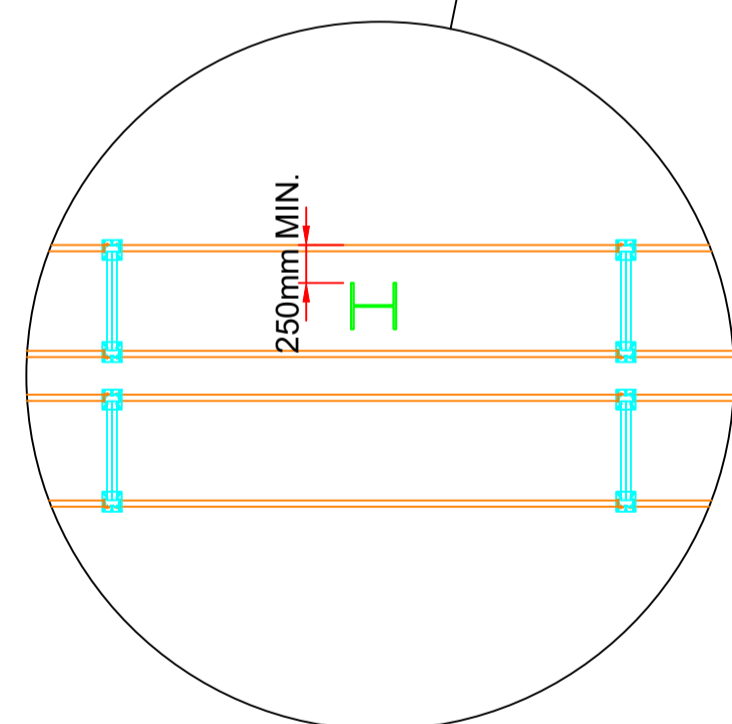
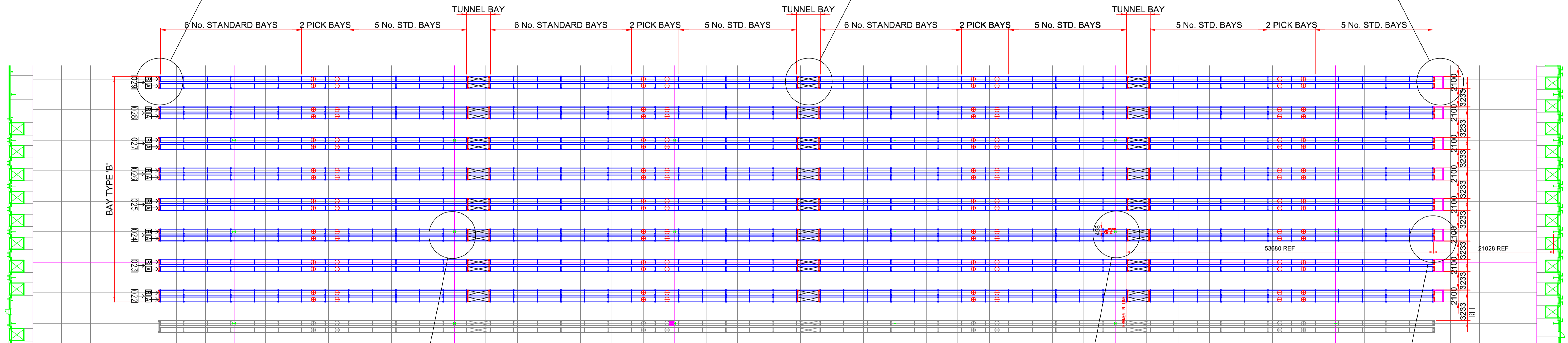
TUNNEL BAY PROTECTION



CANTI-LEVER SPRINKLER SUPPORTS

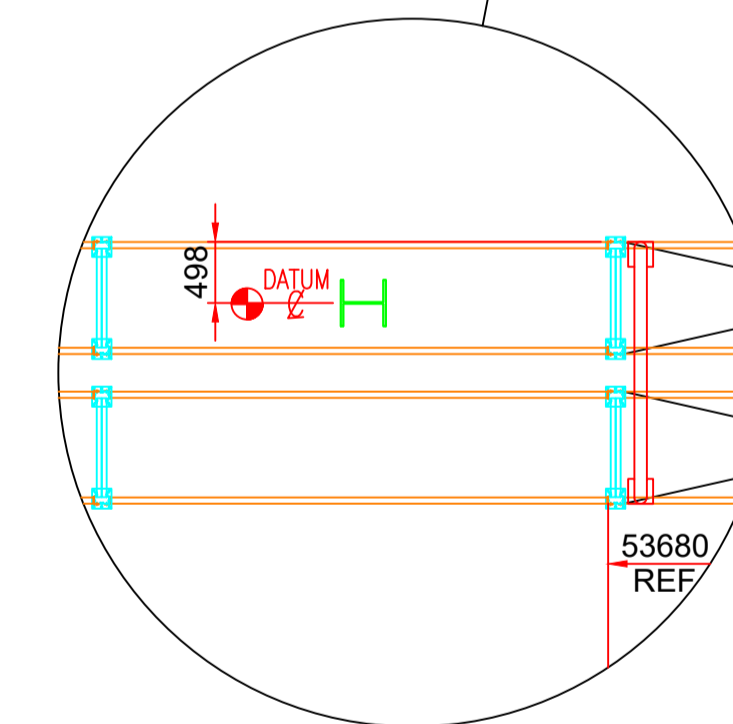


NOTE:
FIT 'PROTECT-ITS' TO
ALL AISLE FACING UPRIGHTS

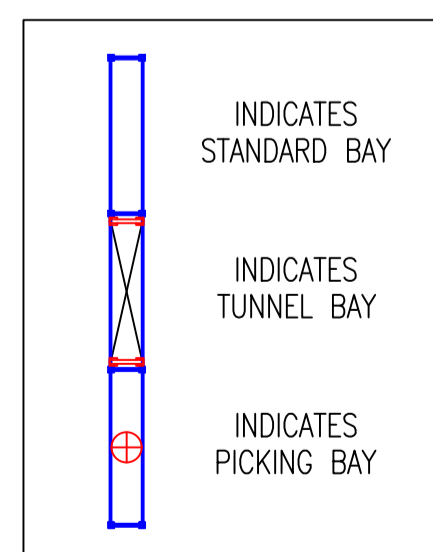
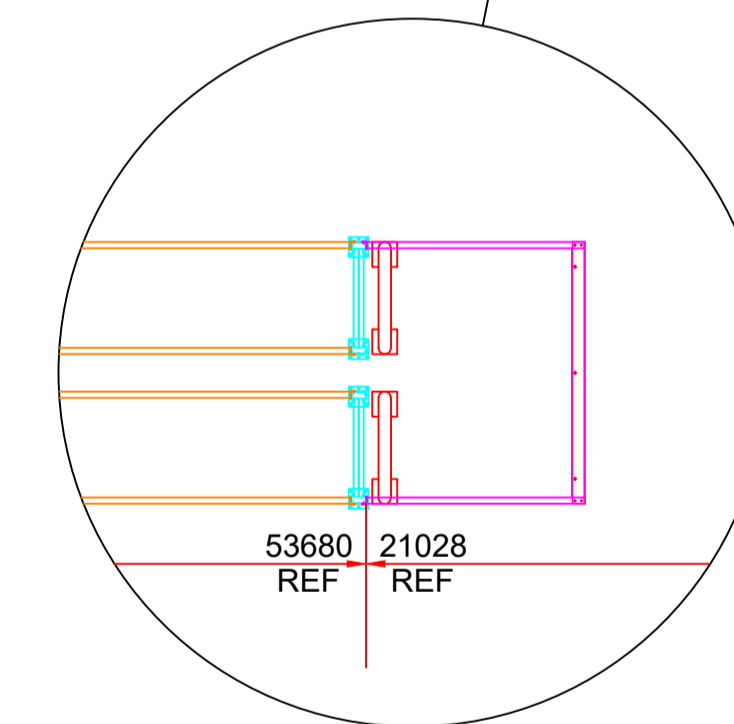


COLUMN CLEARANCE
CLEAR DIMENSION FROM BEAM
OUTSIDE FACE TO COLUMN EDGE TO
BE 250mm MINIMUM.

BAY TYPE 'B'
(DRG.No:23-0567-512)
FRAMES ARE TYPE '2'



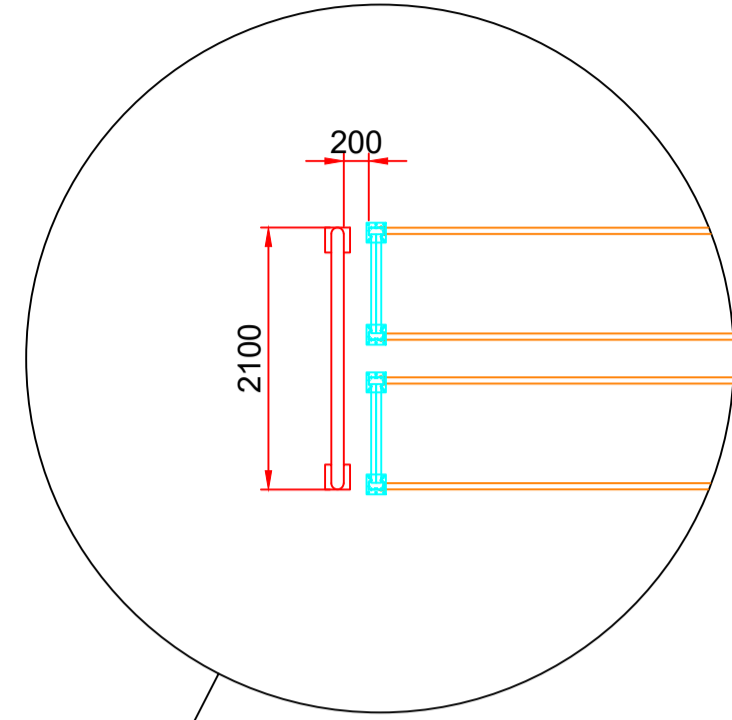
RACK SETTING OUT DETAIL



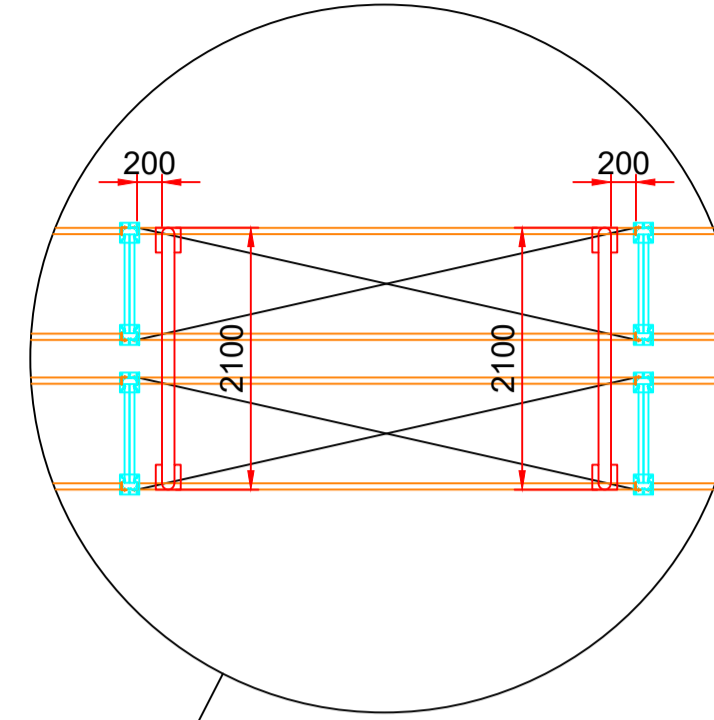
B	AS BUILT	SRW	29/07/24
A	INITIAL ISSUE	SRW	05/04/24
Rev. no.	Rev. note	By	Date
Designed by: SRW	Approved by:	Date: 05-04-2024	Sheet: Project: Scale:
Dexion Gonwerk (Material Handling)		PHASE 4 INSTALL DETAILS for THE RANGE at STOWMARKET	
Dexion Material Handling Ltd Murdock Road, Dorcan Swindon SN3 9HY		Tel: +44 870 224 0220 Fax: +44 870 224 0221 E-mail: enquiries@dexion.co.uk	
Drawing no: 23-0567-504b		Drawn by: Dexion UK	
This drawing and design is the copyright of Dexion Material Handling Ltd, and must not be reproduced in part or in whole without prior written consent, ref. UK legislation.			

DO NOT SCALE

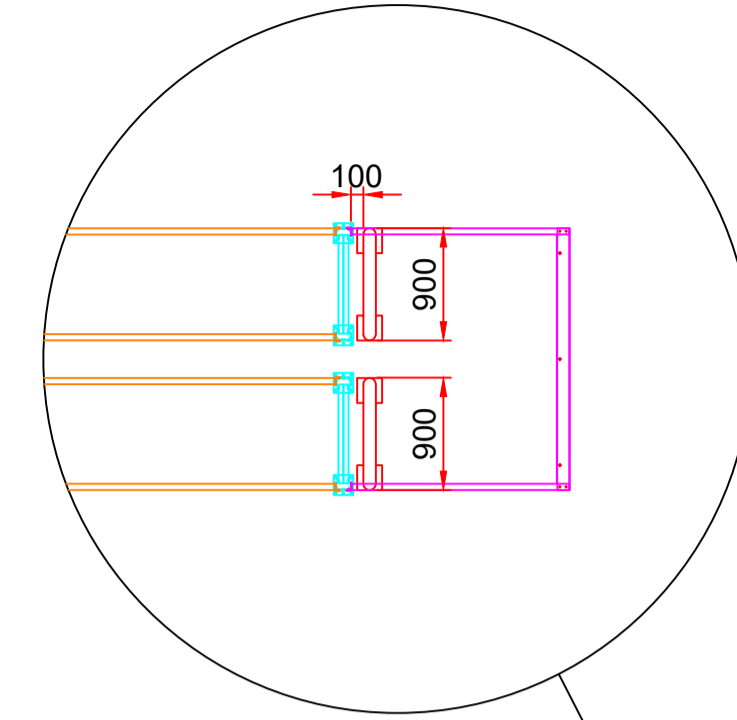
SOUTH END PROTECTION



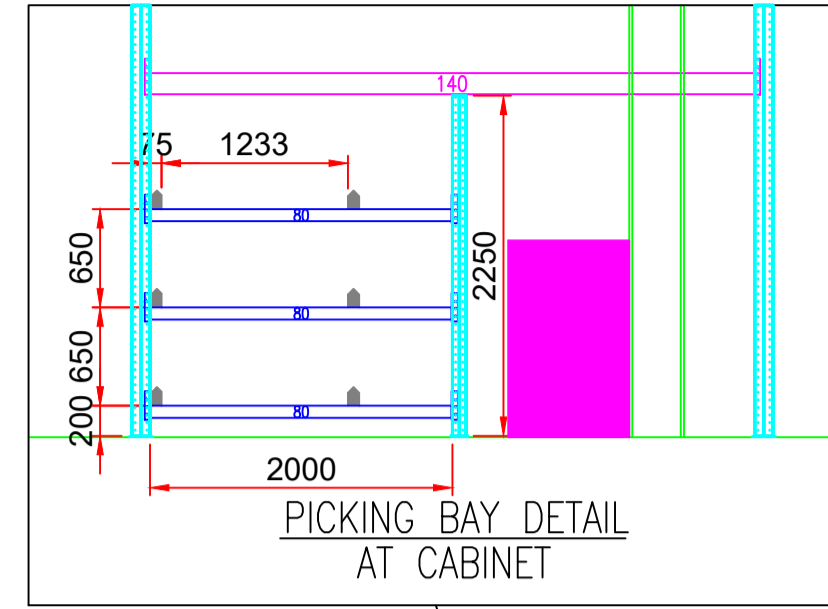
TUNNEL BAY PROTECTION



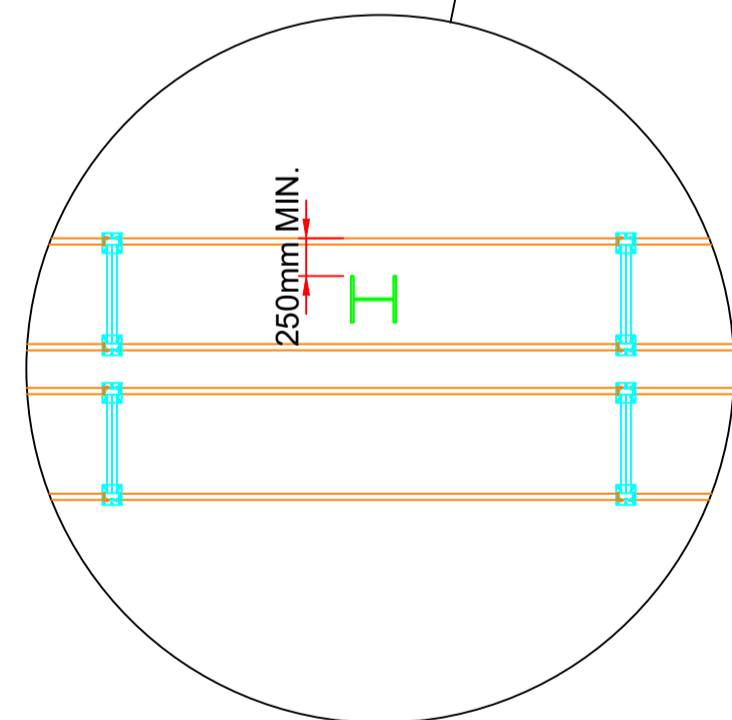
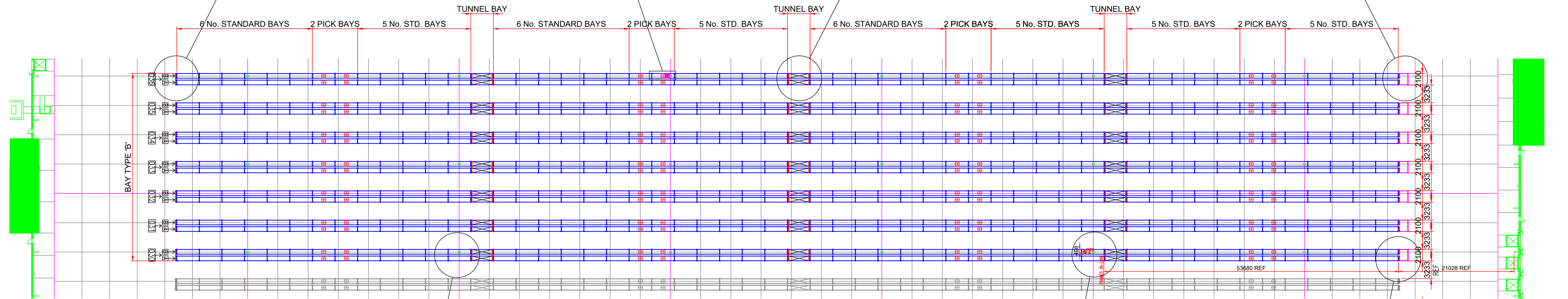
CANTI-LEVER SPRINKLER SUPPORTS



NOTE:
FIT 'PROTECT-ITS' TO
ALL AISLE FACING UPRIGHTS

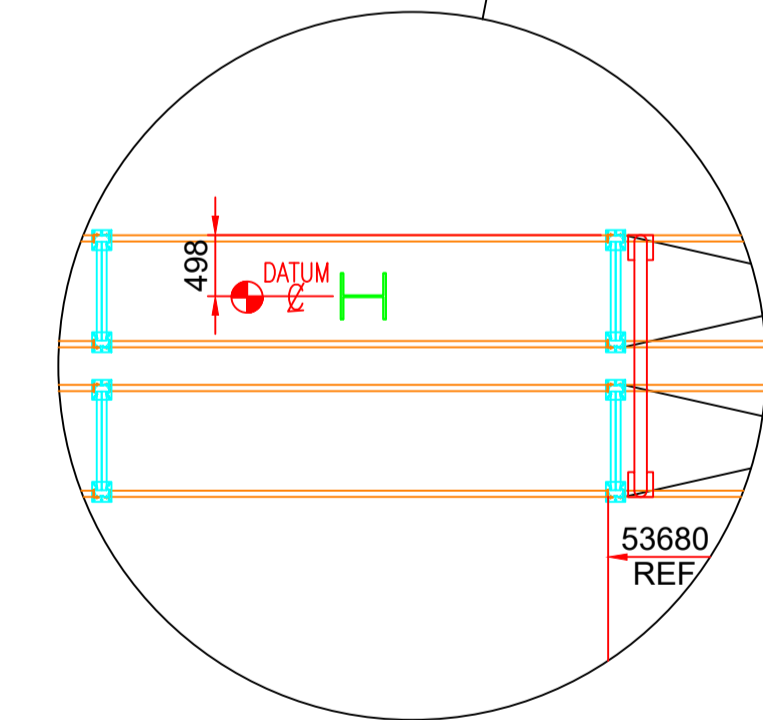
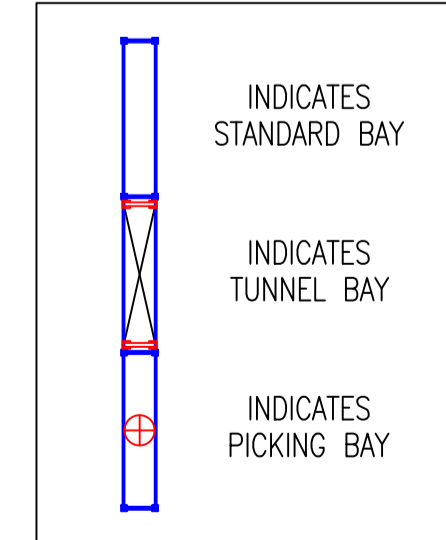


PICKING BAY DETAIL
AT CABINET

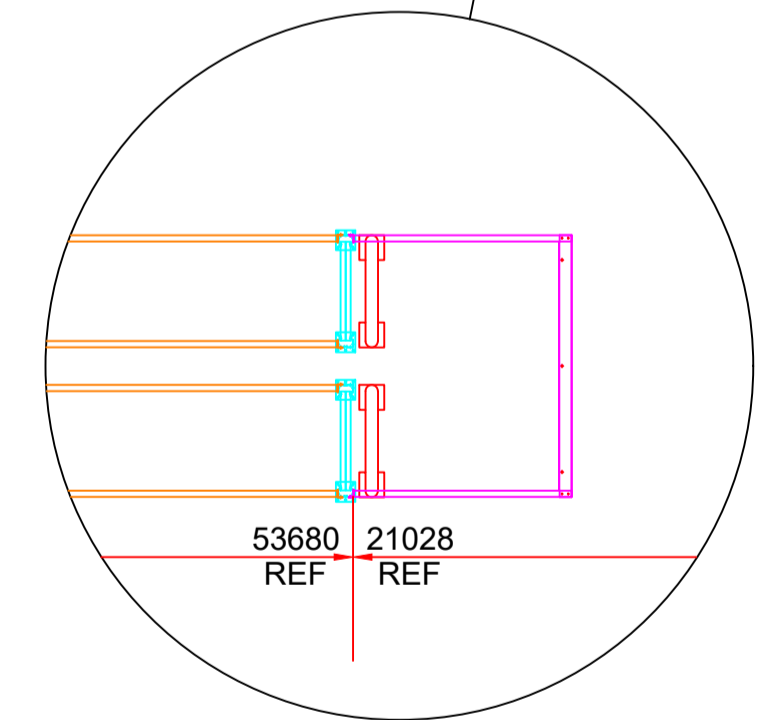


COLUMN CLEARANCE
CLEAR DIMENSION FROM BEAM
OUTSIDE FACE TO COLUMN EDGE TO
BE 250mm MINIMUM.

BAY TYPE 'B'
(DRG.No:23-0567-512)
FRAMES ARE TYPE '2'



RACK SETTING OUT DETAIL



B	AS BUILT	SRW	03/08/24
A	INITIAL ISSUE	SRW	05/04/24
Rev. no.	Rev. note	By	Date
Designed by: SRW	Approved by:	Date: 05-04-2024	Sheet: Project: Scale:

Dexion
Gonwerk (Material Handling)

Dexion Material Handling Ltd
Murdock Road, Dorcan
Swindon SN3 9HY

Tel: +44 870 224 0220
Fax: +44 870 224 0221
E-mail: enquiries@dexion.co.uk

PHASE 5 INSTALL DETAILS
for THE RANGE
at STOWMARKET

Drawing no: 23-0567-505b

Drawn by: Dexion UK

This drawing and design is the copyright of Dexion Material Handling Ltd, and must not be reproduced in part or in whole without prior written consent, ref. UK legislation.