

P23-027 The Range Stowmarket

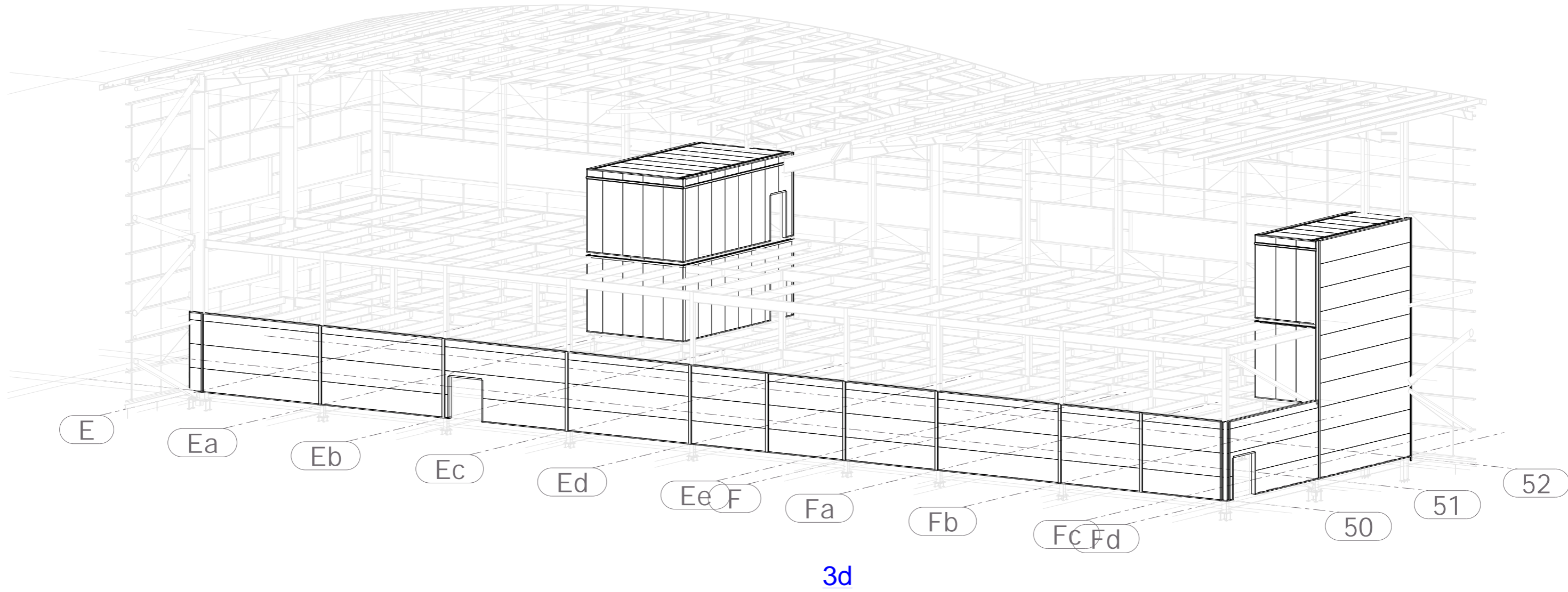
Drawing Register: G&A

*Please note: All drawings listed below are hyperlinked to the drawings listed.
Please click on the drawing title to go directly to the drawing of your choice.*

**Works Completed: Passive
Fire Protection & Whitewall**


| Drawing No. | Drawing Title | Rev |
|----------------------------|--|------------|
| P22036-GAF-MO-ZZ-DR-X-0001 | Whitewall 3d View | ZZ |
| P22036-GAF-MO-ZZ-DR-X-0002 | Whitewall Plans | ZZ |
| P22036-GAF-MO-ZZ-DR-X-0003 | Whitewall Elevation Grid 50 | ZZ |
| P22036-GAF-MO-ZZ-DR-X-0004 | Whitewall Elevations Fd & 51 | ZZ |
| P22036-GAF-MO-ZZ-DR-X-0005 | Whitewall Elevations Eb, Ed | ZZ |
| P22036-GAF-MO-ZZ-DR-X-0006 | Hub Offices 3d View | ZZ |
| P22036-GAF-MO-ZZ-DR-X-0007 | Hub Offices Plans | ZZ |
| P22036-GAF-MO-ZZ-DR-X-0008 | Hub Offices Elevations | ZZ |
| P22036-GAF-MO-ZZ-DR-X-0009 | Typical Penetration detail | ZZ |
| P22036-GAF-MO-ZZ-DR-X-0010 | Welfare 3d View | ZZ |
| P22036-GAF-MO-ZZ-DR-X-0011 | Welfare Plans | ZZ |
| P22036-GAF-MO-ZZ-DR-X-0012 | Welfare Elevations | ZZ |

SPECIFICATION:
 Walls - 150mm Eurobond Firemaster Wall Extra
 Ceilings - 150mm Firemaster Ceiling

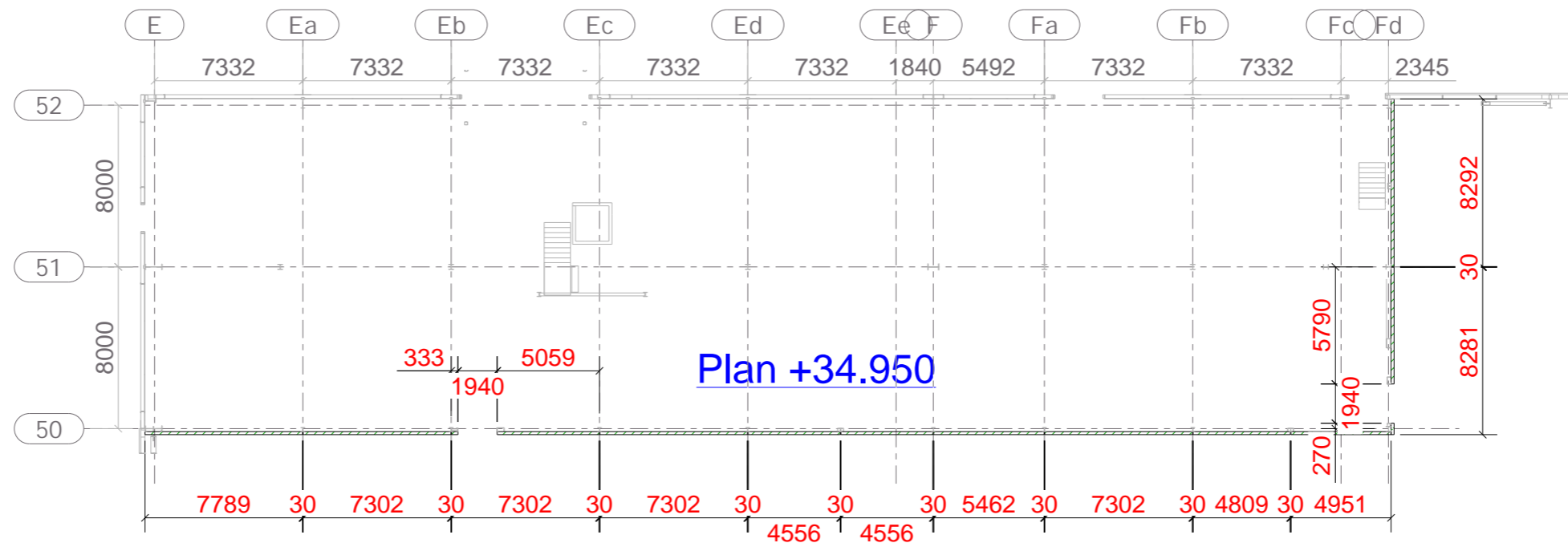


| REV MARK | REVISION DESCRIPTION | REVISION DATE |
|----------|----------------------|---------------|
| ZZ | As-built | 13.10.2023 |
| P02 | Comments 13/6/23 | 28.06.2023 |
| P01 | Prelim | 25.05.2023 |
| C01 | Construction Issue | 05.07.2023 |

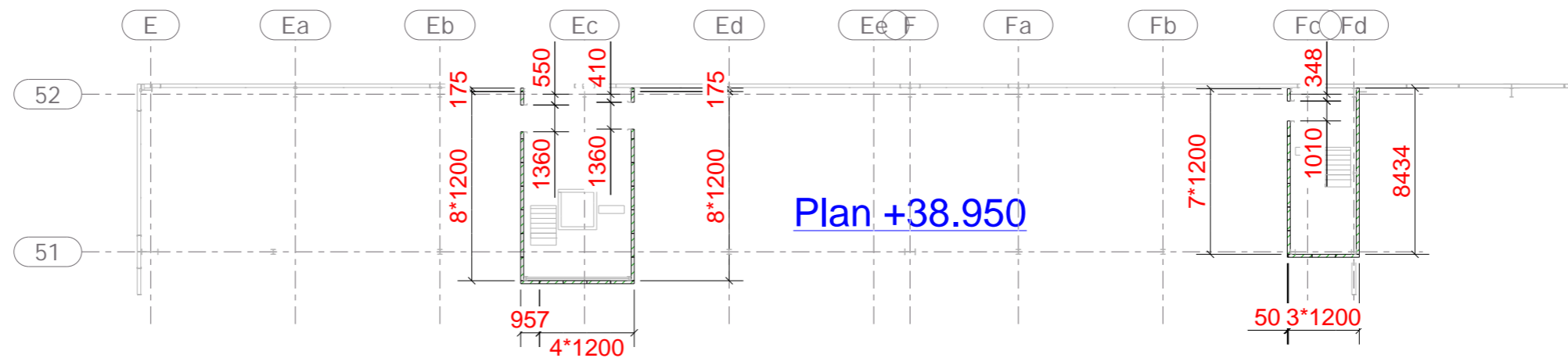
Drawing Status : **As-Built**

| | | | | | | | |
|---|---|---|----------------------------|--|----------|--|----------------------|
|  Fire Protection & Interior Services Specialist Contractor | Unit J2 Valley Way Welland Industrial Estate Market Harborough LE16 7PS | tel:01858 432222 email: info@ga-group.com www.ga-fireprotection.co.uk | Client : Winvic | Contract No. : | Weight : | Drawn By : AC | Date : |
| | | | Project : Plot 4000 | Drawing Title : Whitewall 3d View | Scale : | Drawing Number : P22036-GAF-MO-ZZ-DR-X-0001 | Revision : ZZ |

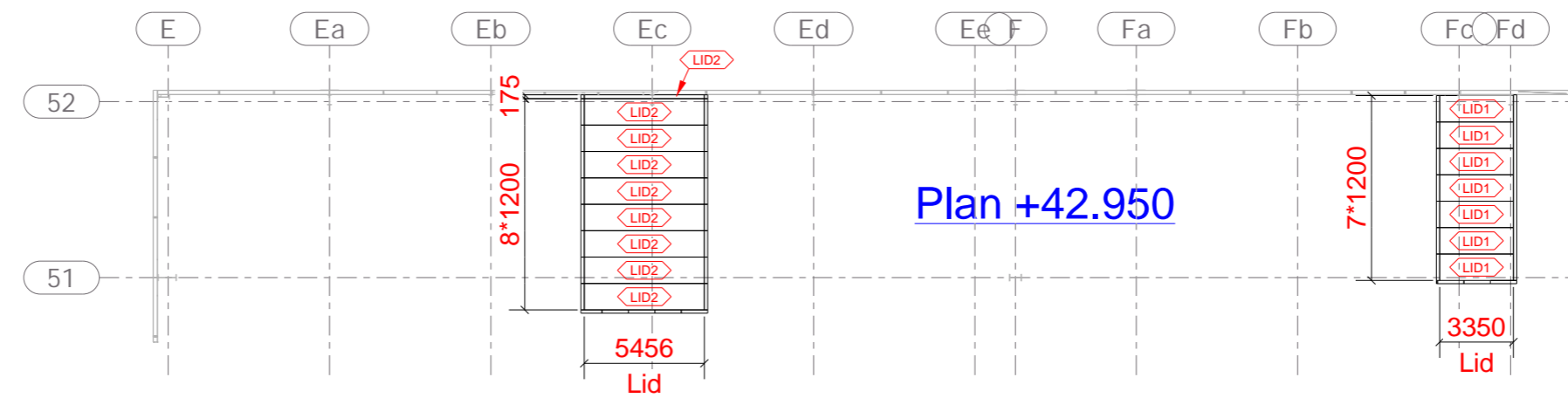
Tekla Structures



Plan +34.950



Plan +38.950



Plan +42.950

| REV MARK | REVISION DESCRIPTION | REVISION DATE |
|----------|----------------------|---------------|
| ZZ | As-built | 13.10.2023 |
| P02 | Comments 13/6/23 | 28.06.2023 |
| P01 | Prelim | 25.05.2023 |
| C01 | Construction Issue | 05.07.2023 |

SPECIFICATION:
Walls - 150mm Eurobond Firemaster Wall Extra
Ceilings - 150mm Firemaster Ceiling

Drawing Status : **As-Built**



Unit J2
Valley Way
Welland Industrial Estate
Market Harborough
LE16 7PS

tel:01858 432222
email: info@ga-group.com
www.ga-fireprotection.co.uk

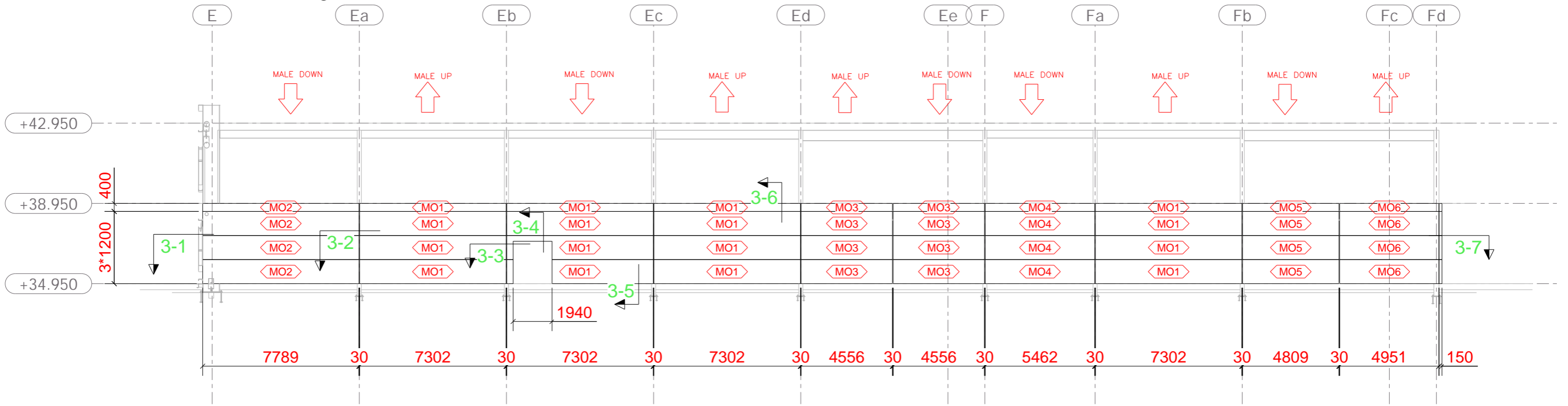
Client : **Winvic**
Project : **Plot 4000**

Contract No. :
Drawing Title : **Whitewall Plans**

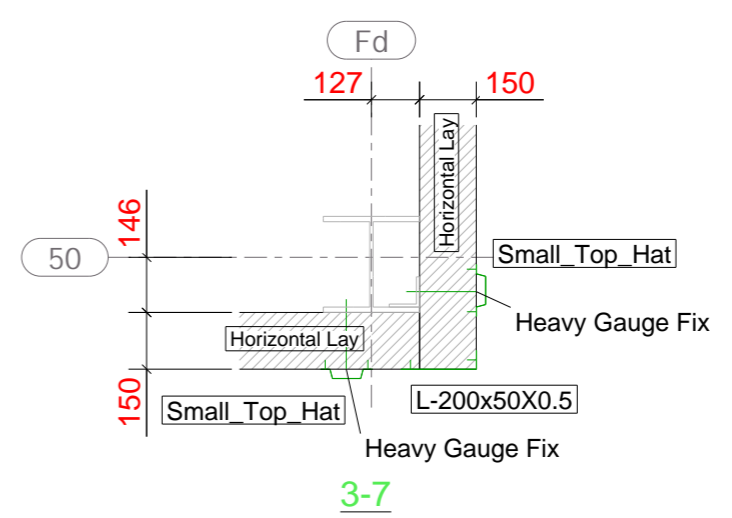
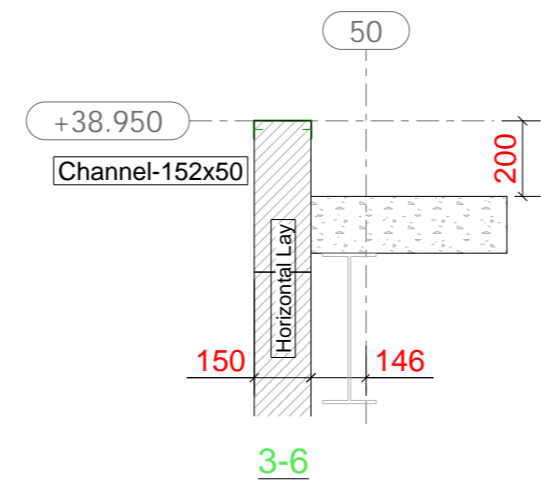
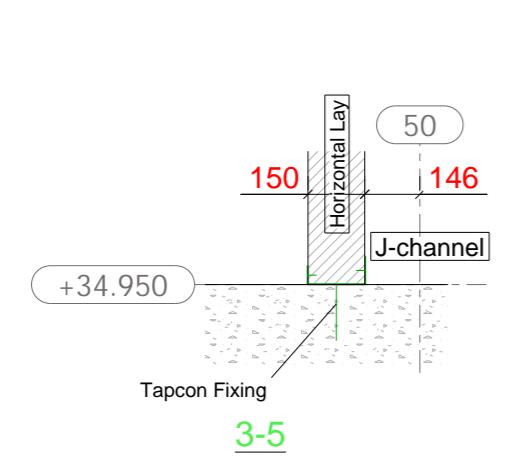
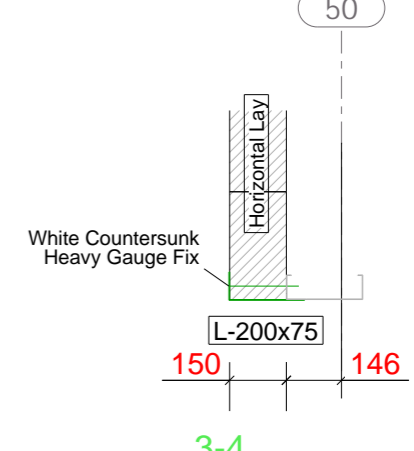
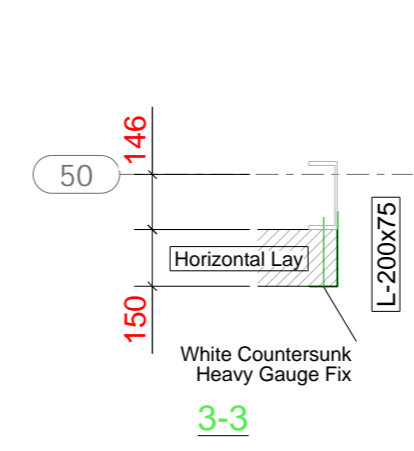
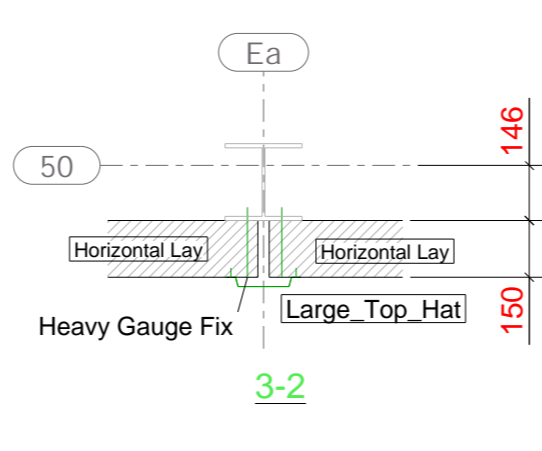
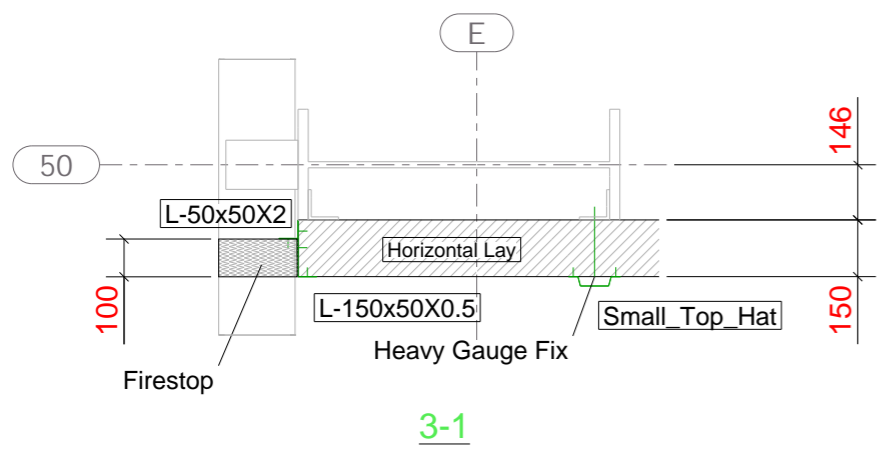
Weight :
Scale :
Drawn By : **AC**
Date :
Drawing Number :
Revision : **ZZ**

Tekla Structures

For Structural Penetrations see drawing 0009



Grid 50



| REV MARK | REVISION DESCRIPTION | REVISION DATE |
|----------|----------------------|---------------|
| ZZ | As-built | 13.10.2023 |
| P02 | Comments 13/6/23 | 28.06.2023 |
| P01 | Prelim | 25.05.2023 |
| C01 | Construction Issue | 05.07.2023 |

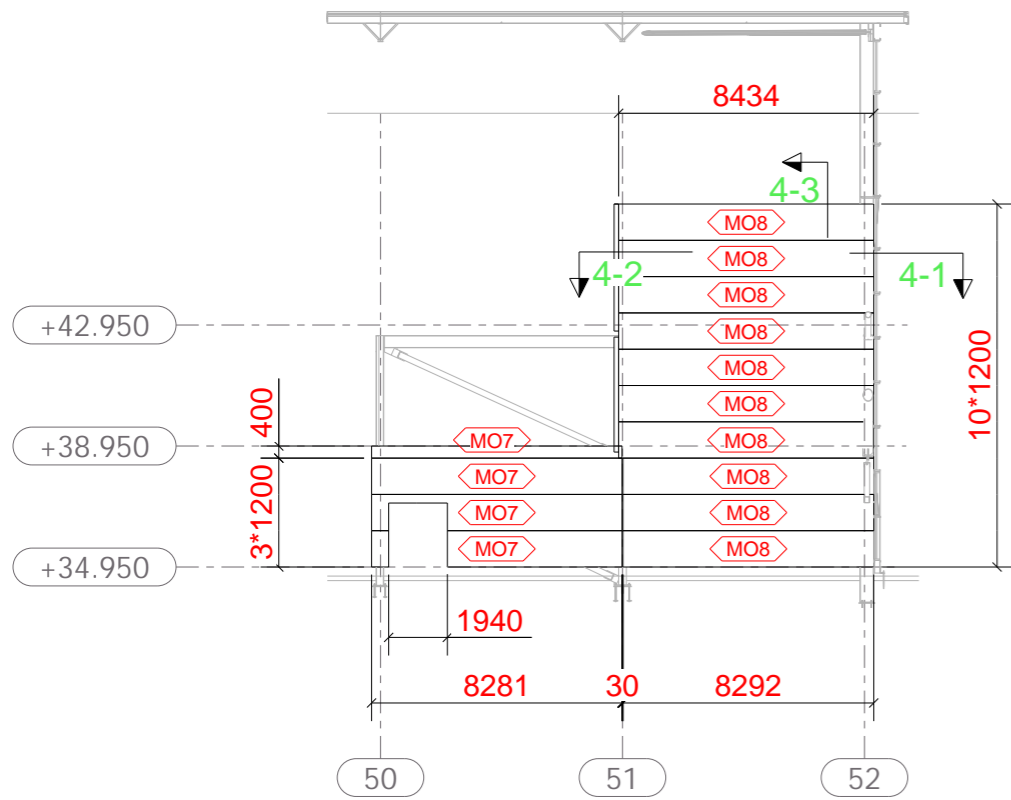
SPECIFICATION:
 Walls - 150mm Eurobond Firemaster Wall Extra
 Ceilings - 150mm Firemaster Ceiling

Drawing Status : **As-Built**

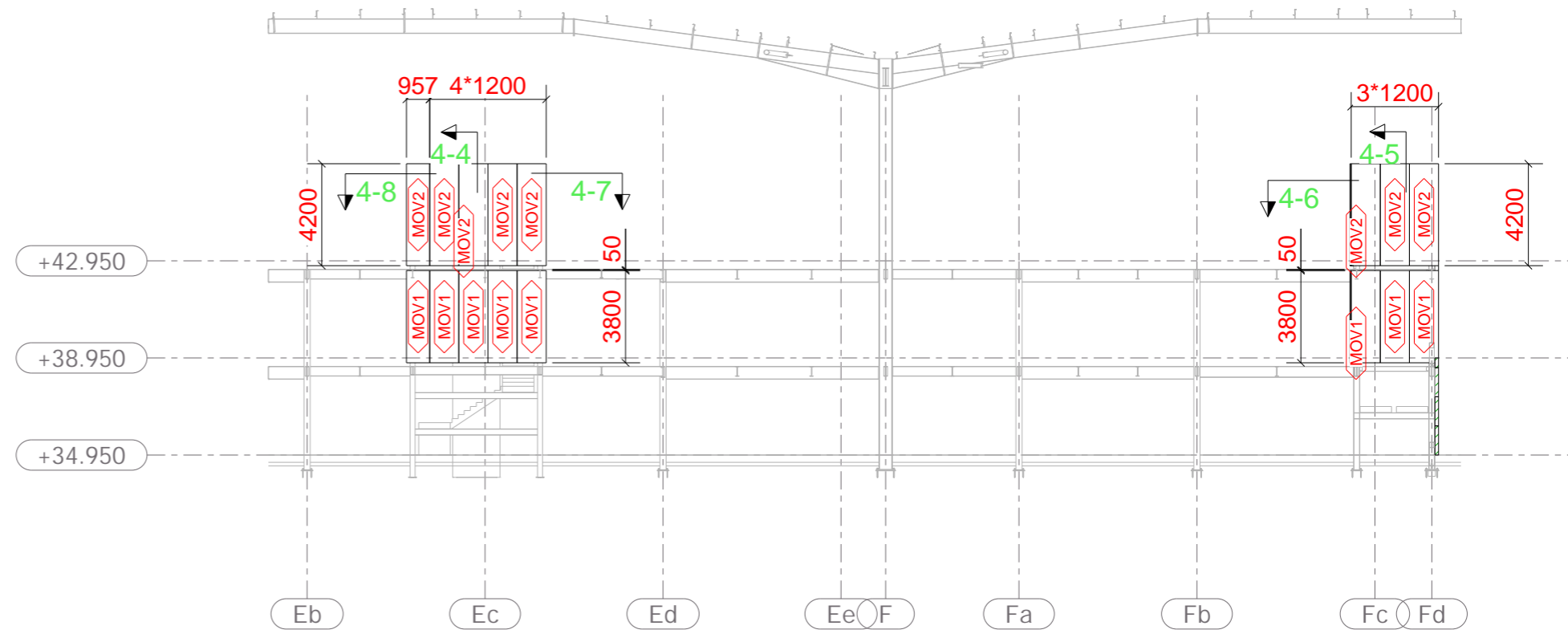
| | | | | | | | |
|--|--|--|----------------------------|--|----------|--|----------------------|
| <p>Fire Protection & Interior Services Specialist Contractor</p> | <p>Unit J2 Valley Way Welland Industrial Estate Market Harborough LE16 7PS</p> | <p>tel:01858 432222 email: info@ga-group.com www.ga-fireprotection.co.uk</p> | Client : Winvic | Contract No. : | Weight : | Drawn By : AC | Date : |
| | | | Project : Plot 4000 | Drawing Title : Whitewall Elevation Grid 50 | Scale : | Drawing Number : P22036-GAF-MO-ZZ-DR-X-0003 | Revision : ZZ |

Tekla Structures

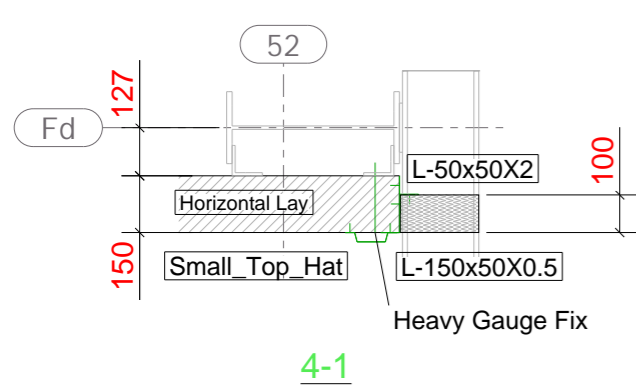
For Structural Penetrations see drawing 0009



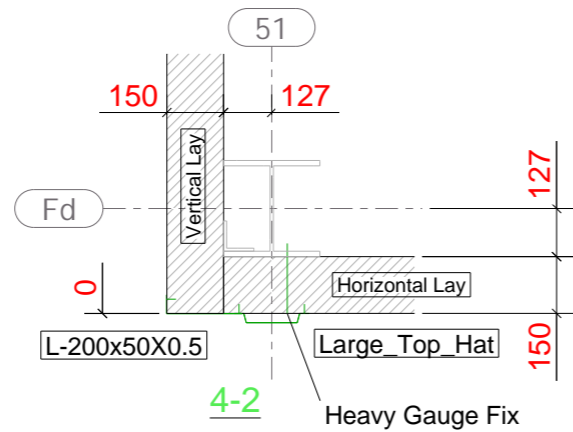
Grid Fd



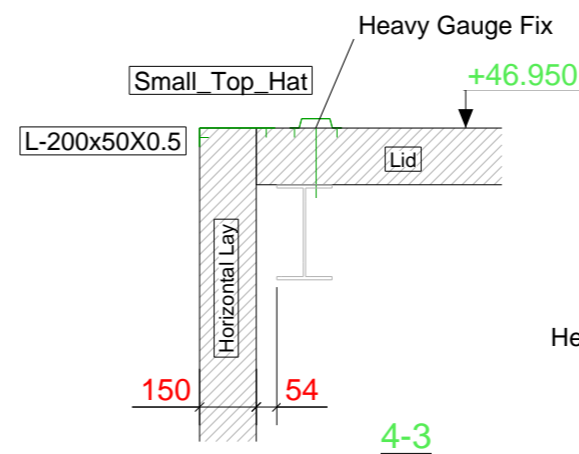
Grid 51



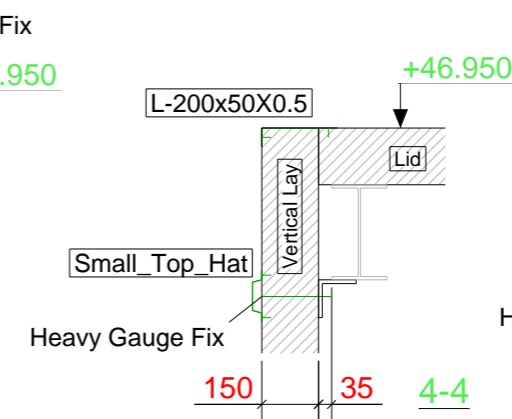
4-1



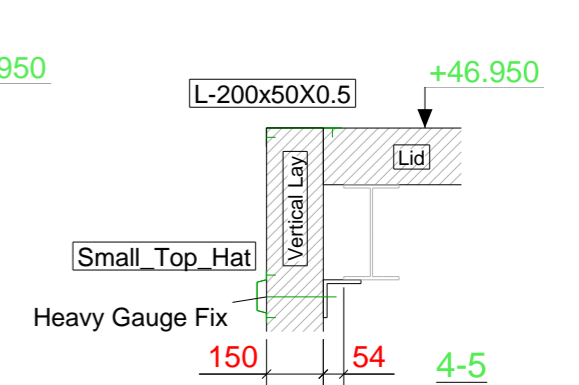
4-2



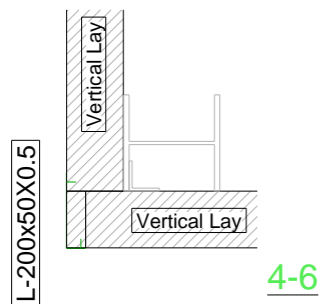
4-3



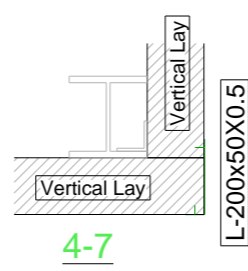
4-4



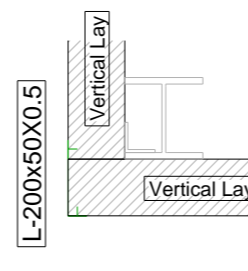
4-5



4-6



4-7



4-8

| REV MARK | REVISION DESCRIPTION | REVISION DATE |
|----------|----------------------|---------------|
| ZZ | As-built | 13.10.2023 |
| P03 | Comments 13/6/23 | 28.06.2023 |
| P02 | Details 4-4 & 4-5 | 08.06.2023 |
| P01 | Prelim | 25.05.2023 |
| C01 | Construction Issue | 05.07.2023 |

SPECIFICATION:
Walls - 150mm Eurobond Firemaster Wall Extra
Ceilings - 150mm Firemaster Ceiling

Drawing Status : **As-Built**



Unit J2
Valley Way
Welland Industrial Estate
Market Harborough
LE16 7PS
tel:01858 432222
email: info@ga-group.com
www.ga-fireprotection.co.uk

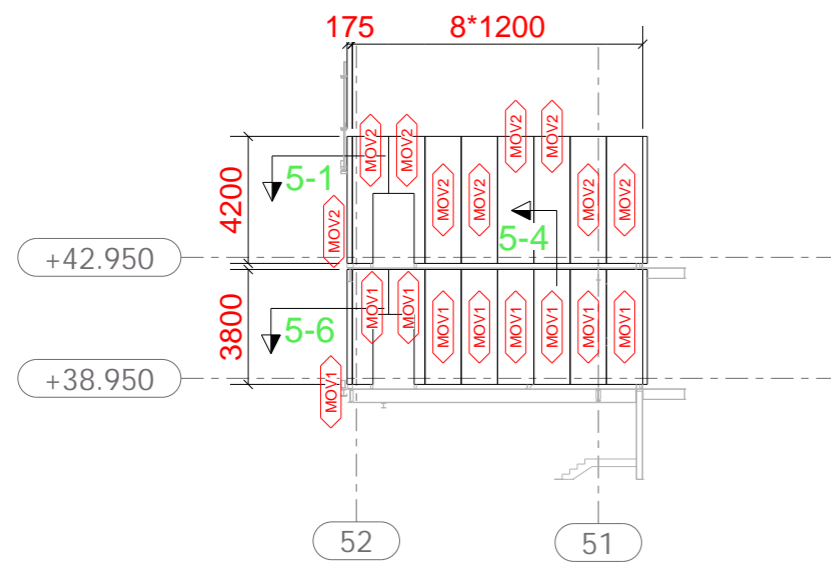
Client : **Winvic**
Project : **Plot 4000**

Contract No. :
Drawing Title : **Whitewall Elevations Fd & 51**

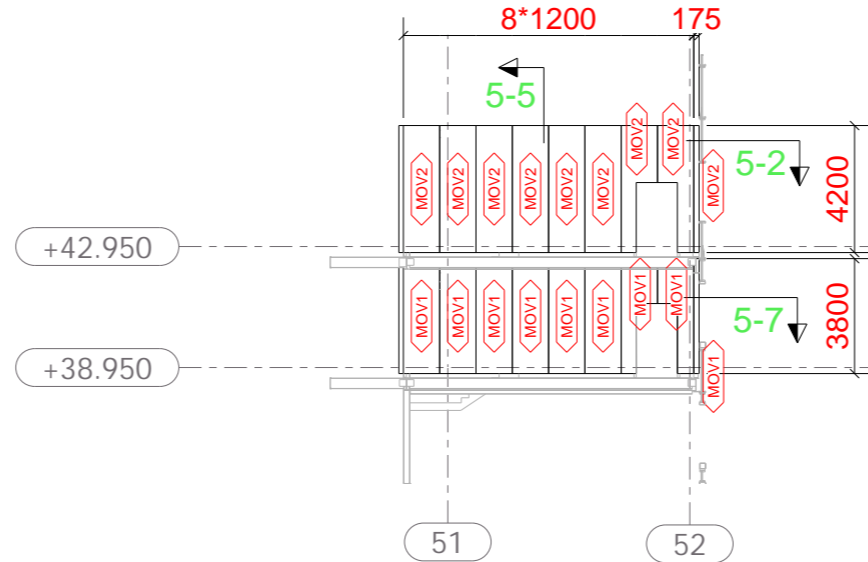
Weight :
Scale :
Drawn By : **AC**
Date :
Drawing Number :
Revision : **ZZ**

Tekla Structures

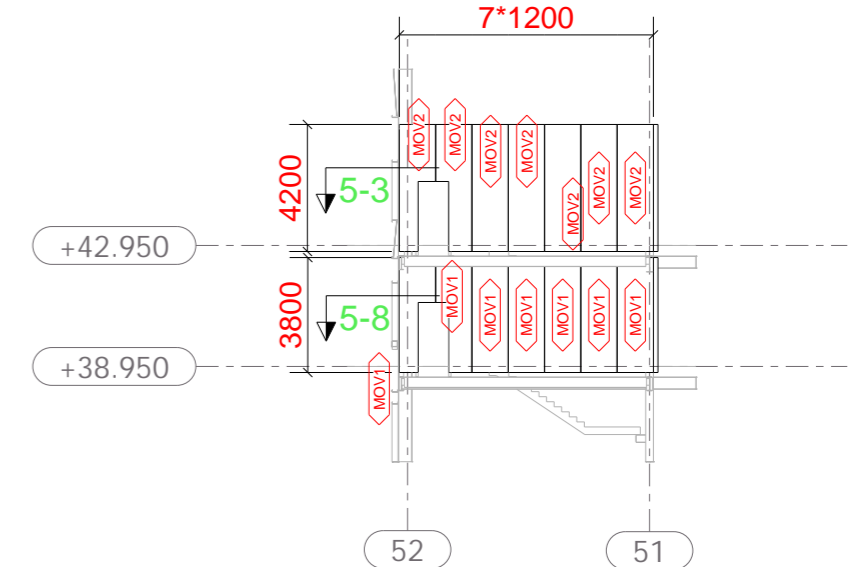
For Structural Penetrations see drawing 0009



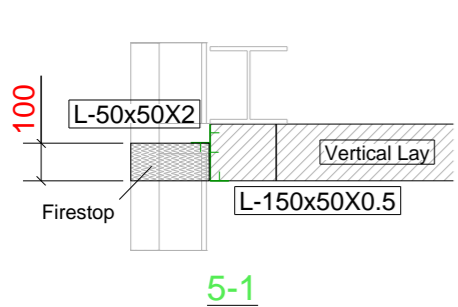
Grid Eb



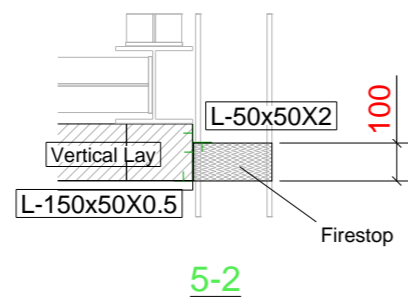
Grid Ed



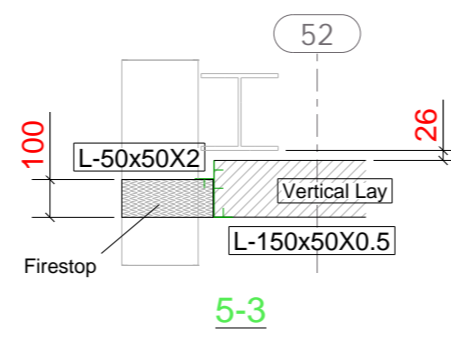
Grid Fc



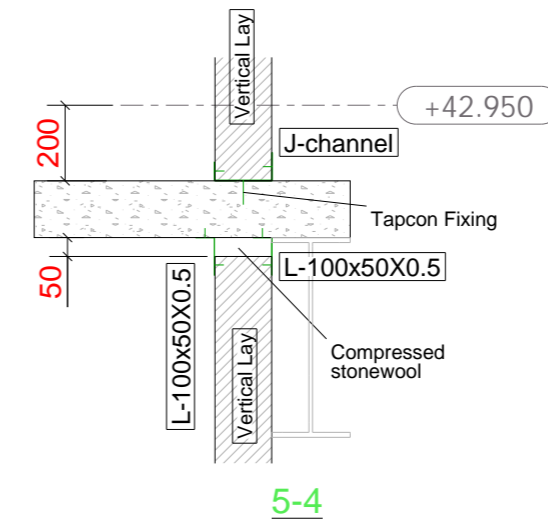
5-1



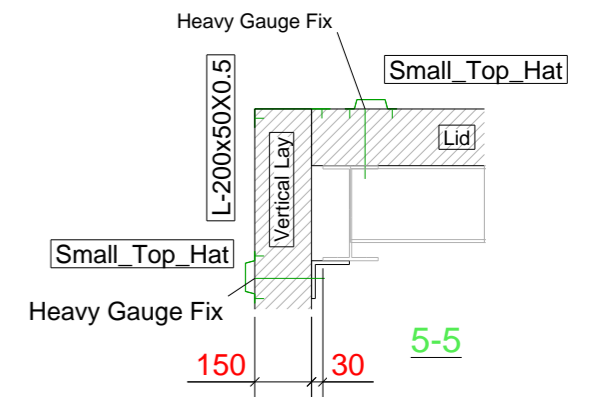
5-2



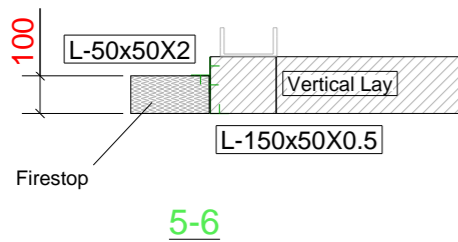
5-3



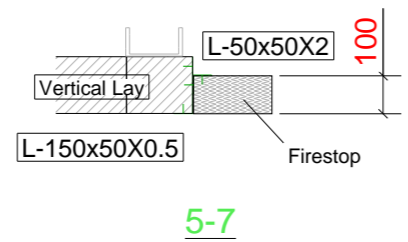
5-4



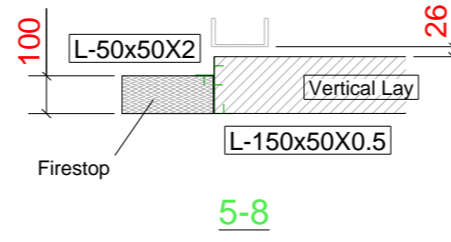
5-5



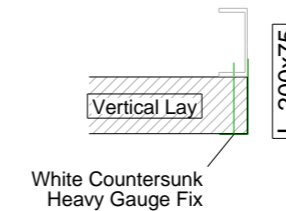
5-6



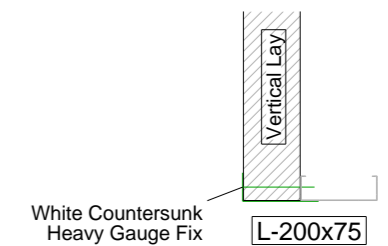
5-7



5-8



Door reveal sides



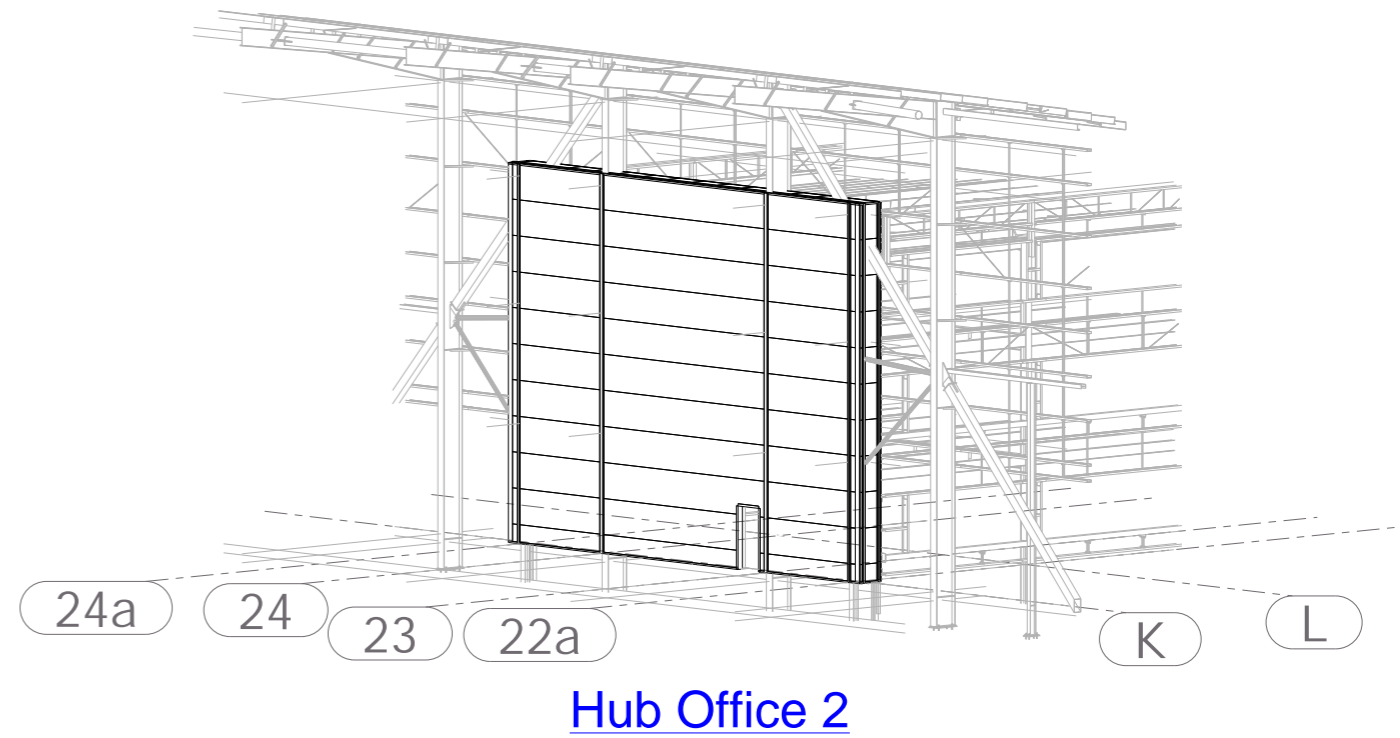
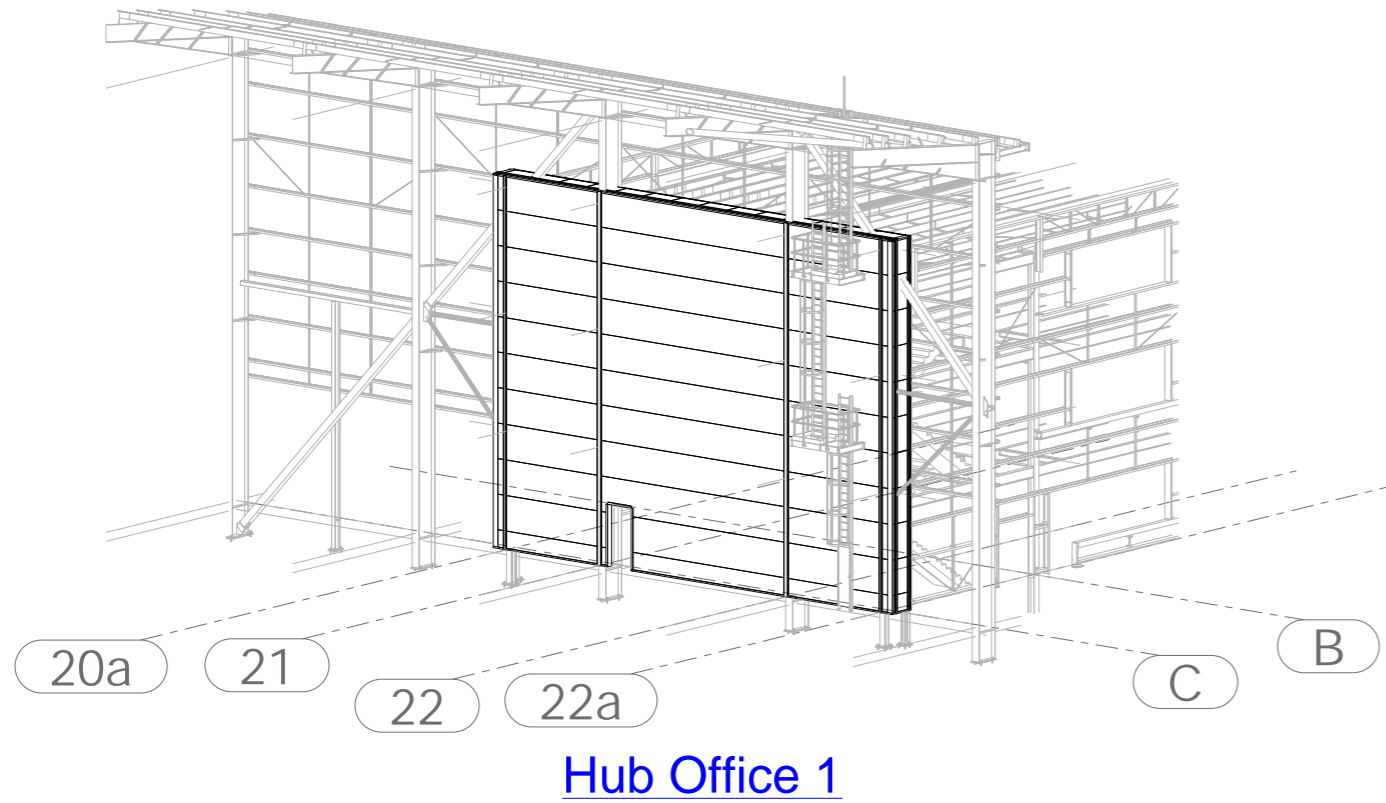
Door reveal header

| REV MARK | REVISION DESCRIPTION | REVISION DATE |
|----------|----------------------|---------------|
| ZZ | As-built | 13.10.2023 |
| P03 | Comments 13/6/23 | 28.06.2023 |
| P02 | Detail 5-5 | 08.06.2023 |
| P01 | Prelim | 25.05.2023 |
| C01 | Construction Issue | 05.07.2023 |

SPECIFICATION:
Walls - 150mm Eurobond Firemaster Wall Extra
Ceilings - 150mm Firemaster Ceiling

Drawing Status : **As-Built**

SPECIFICATION:
 Walls - 150mm Eurobond Firemaster Wall Extra
 Ceilings - 150mm Firemaster Ceiling



| REV MARK | REVISION DESCRIPTION | REVISION DATE |
|----------|----------------------|---------------|
| ZZ | As-built | 13.10.2023 |
| P02 | Comments 13/6/23 | 28.06.2023 |
| P01 | Prelim | 08.06.2023 |
| C01 | Construction Issue | 05.07.2023 |

Drawing Status : **As-Built**



Fire Protection & Interior Services
 Specialist Contractor

Unit J2
 Valley Way
 Welland Industrial Estate
 Market Harborough
 LE16 7PS

tel:01858 432222
 email: info@ga-group.com
 www.ga-fireprotection.co.uk

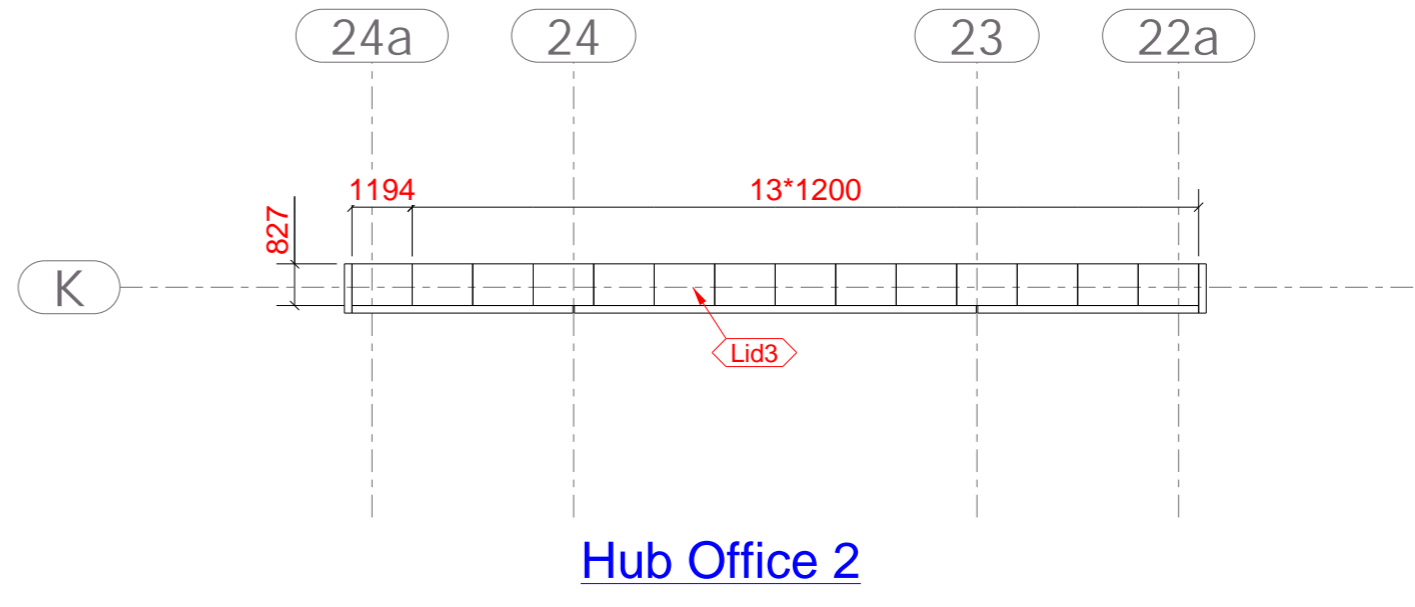
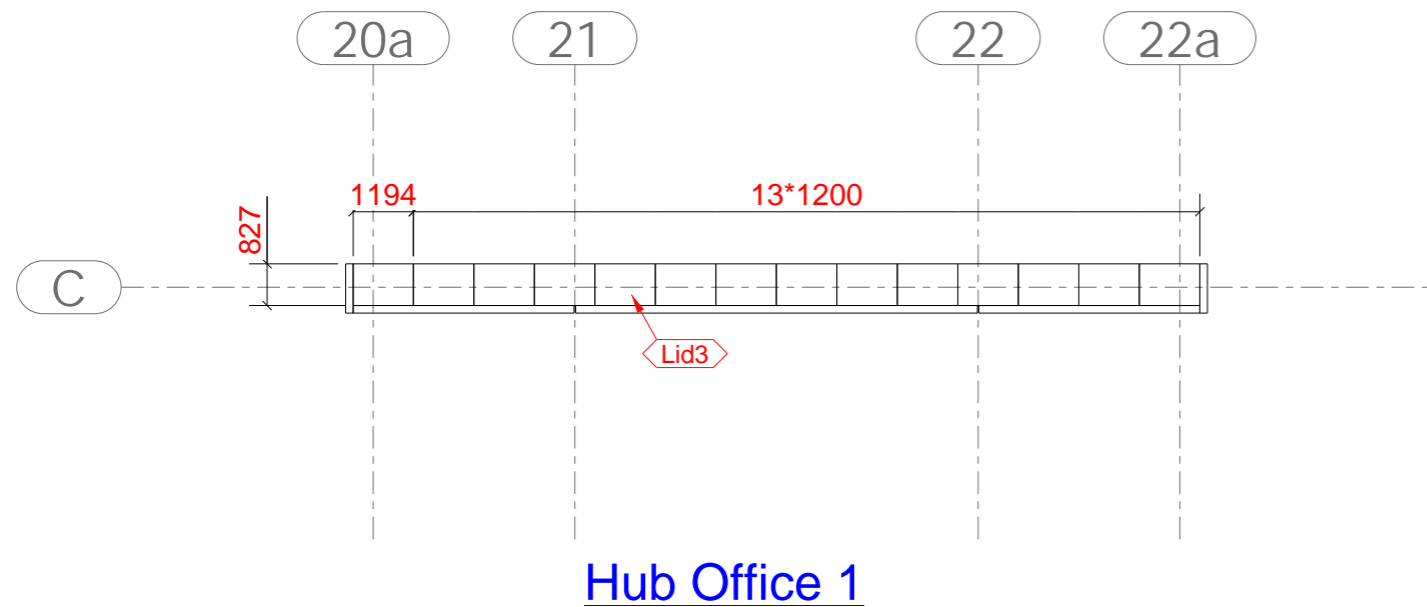
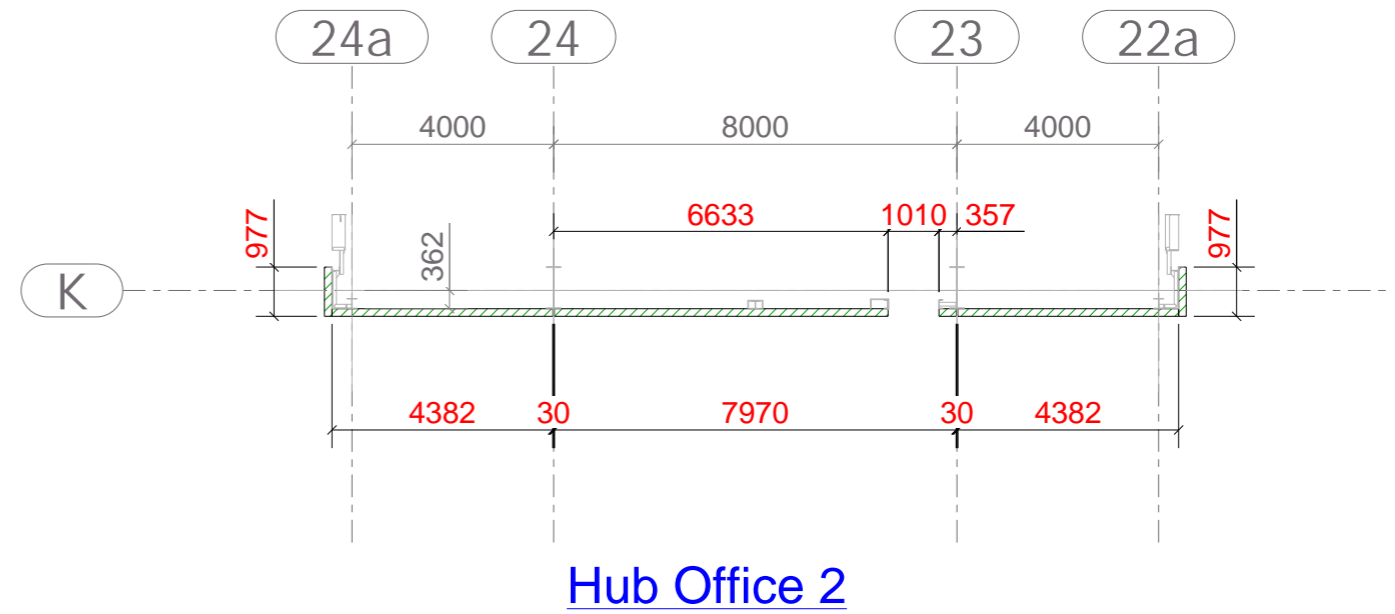
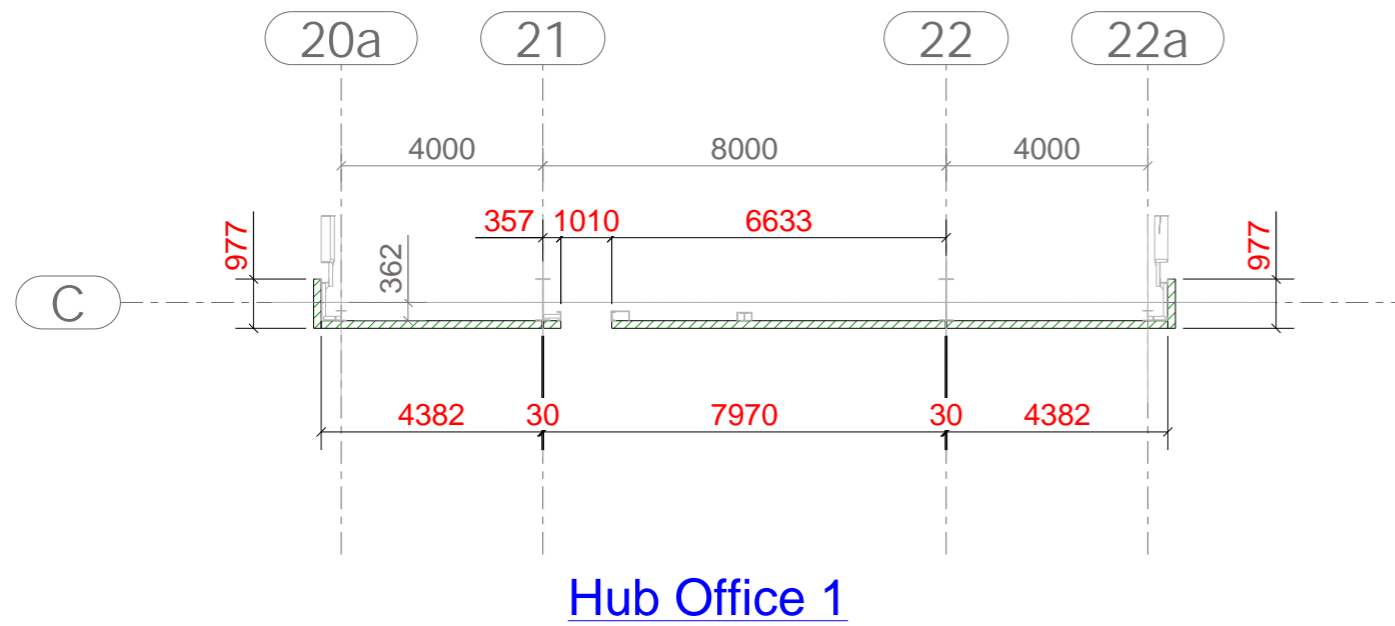
Client : **Winvic**
 Project : **Plot 4000**

Contract No. :
 Drawing Title : **Hub Offices 3d View**

Weight :
 Scale :

Drawn By : **AC** Date :
 Drawing Number : **P22036-GAF-MO-ZZ-DR-X-0006** Revision : **ZZ**

SPECIFICATION:
 Walls - 150mm Eurobond Firemaster Wall Extra
 Ceilings - 150mm Firemaster Ceiling



| REV MARK | REVISION DESCRIPTION | REVISION DATE |
|----------|----------------------|---------------|
| ZZ | As-built | 13.10.2023 |
| P02 | Comments 13/6/23 | 28.06.2023 |
| P01 | Prelim | 08.06.2023 |
| C01 | Construction Issue | 05.07.2023 |

Drawing Status : **As-Built**



Unit J2
 Valley Way
 Welland Industrial Estate
 Market Harborough
 LE16 7PS

tel:01858 432222
 email: info@ga-group.com
 www.ga-fireprotection.co.uk

Client : **Winvic**
 Project : **Plot 4000**

Contract No. :
 Drawing Title : **Hub Offices Plans**

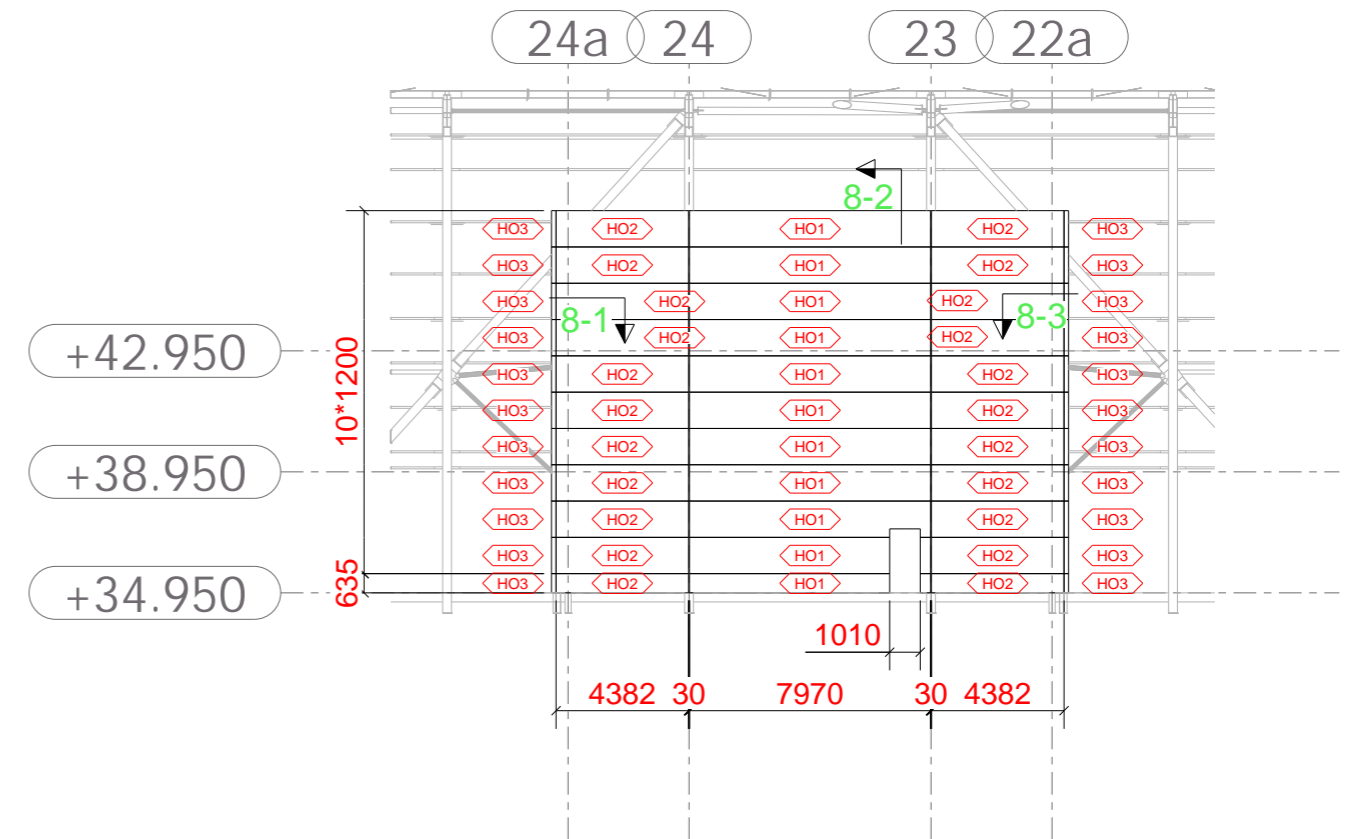
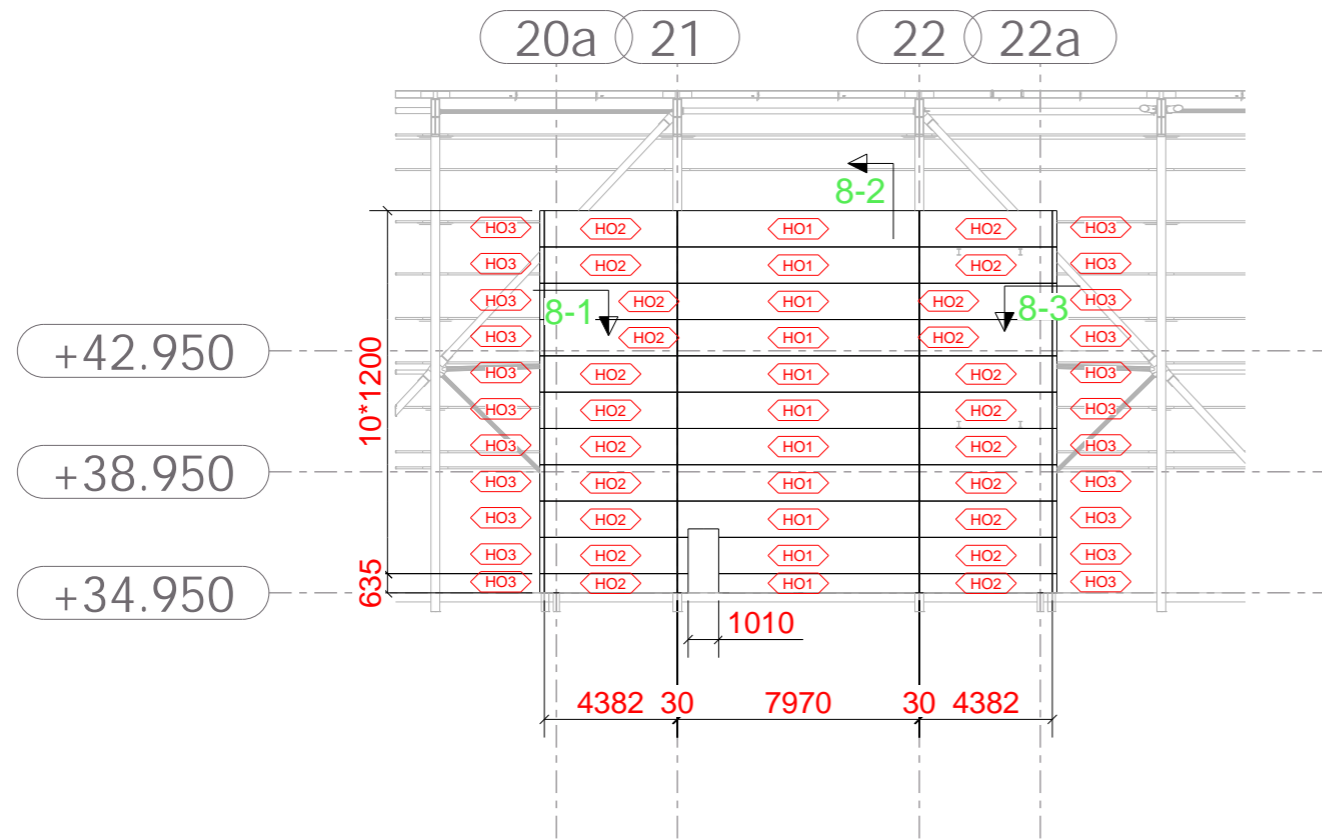
Weight :
 Scale :
 Drawing Number : **P22036-GAF-MO-ZZ-DR-X-0007**
 Revision : **ZZ**

Drawn By : **AC**
 Date :
 Revision : **ZZ**

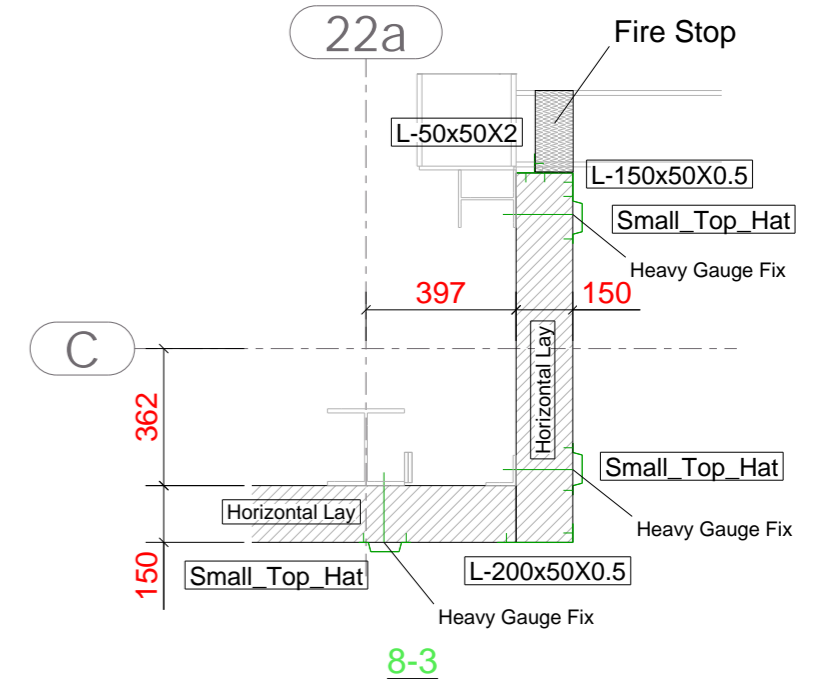
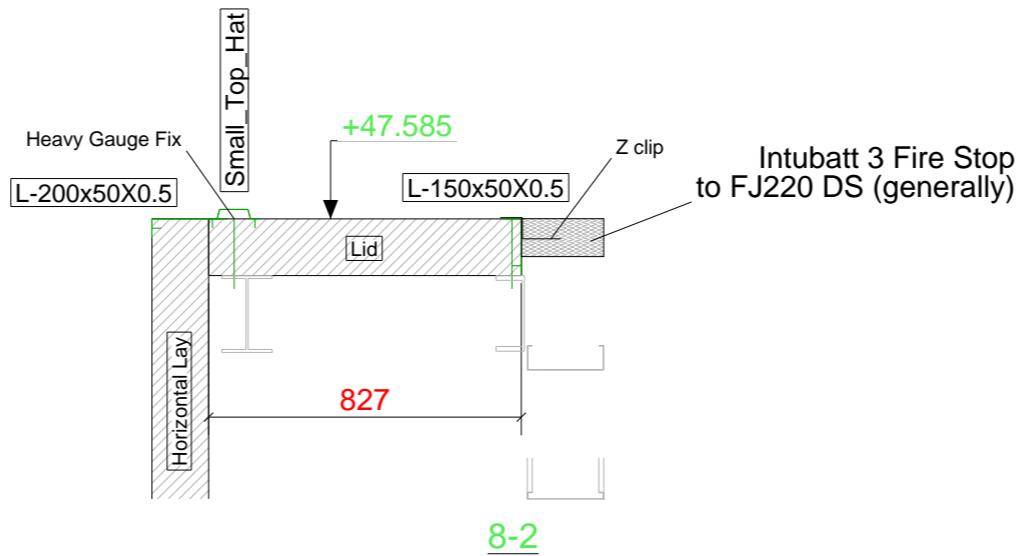
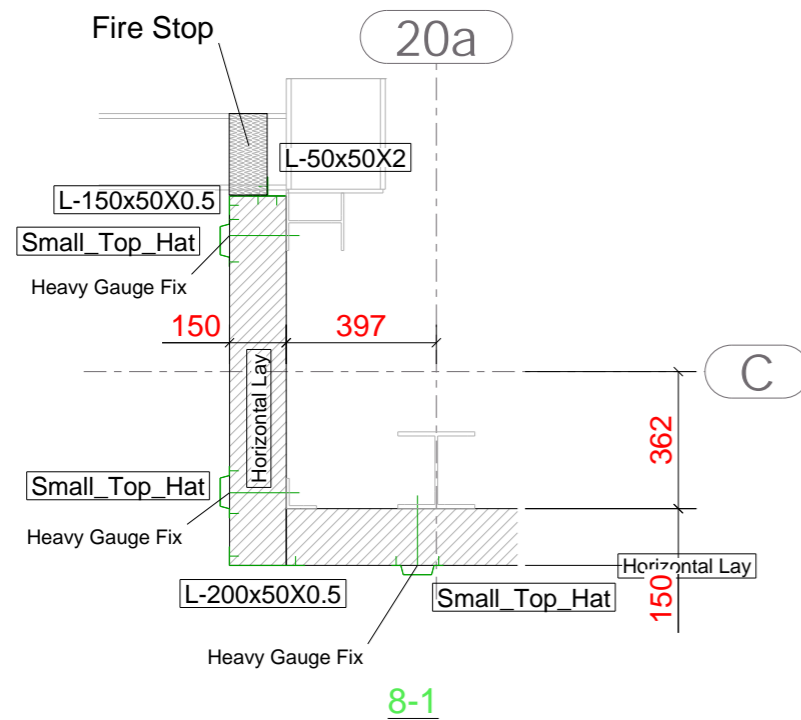
Tekla Structures

Hub Office 1 Gridline C

Hub Office 2 Gridline K



For Structural Penetrations see drawing 0009



SPECIFICATION:
Walls - 150mm Eurobond Firemaster Wall Extra
Ceilings - 150mm Firemaster Ceiling

Drawing Status : **As-Built**

| REV MARK | REVISION DESCRIPTION | REVISION DATE |
|----------|----------------------|---------------|
| ZZ | As-built | 13.10.2023 |
| P02 | Comments 13/6/23 | 28.06.2023 |
| P01 | Prelim | 08.06.2023 |
| C01 | Construction Issue | 05.07.2023 |



Fire Protection & Interior Services
Specialist Contractor

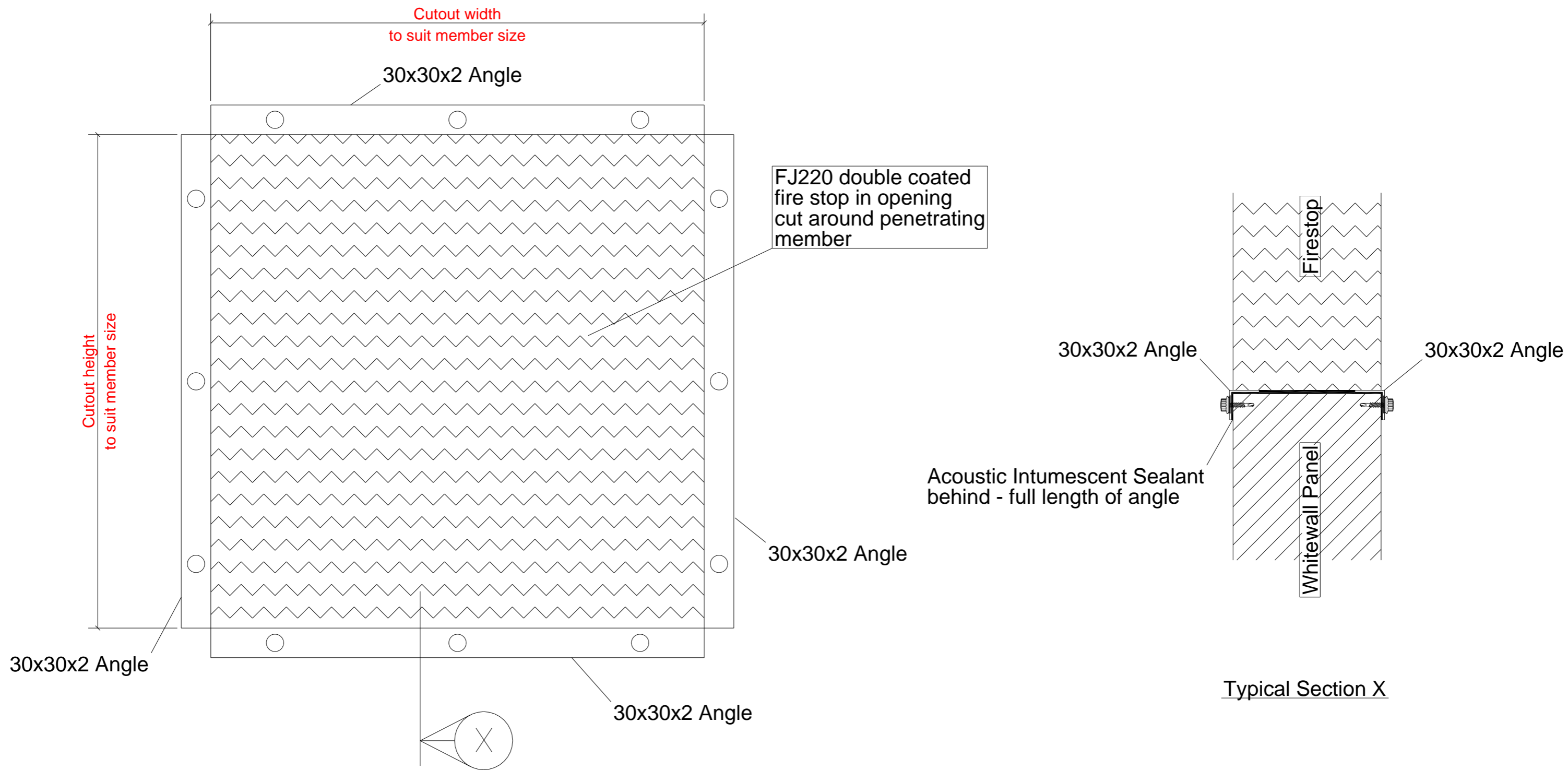
Unit J2
Valley Way
Welland Industrial Estate
Market Harborough
LE16 7PS

tel:01858 432222
email: info@ga-group.com
www.ga-fireprotection.co.uk

Client : **Winvic**
Project : **Plot 4000**

Contract No. :
Drawing Title : **Hub Offices Elevations**

Weight :
Scale :
Drawn By : **AC**
Date :
Drawing Number :
Revision : **ZZ**



Blank/Structural penetrations will be sealed around penetration only; service penetrations will also be treated with proprietary ancillaries in line with manufacturers recommendations

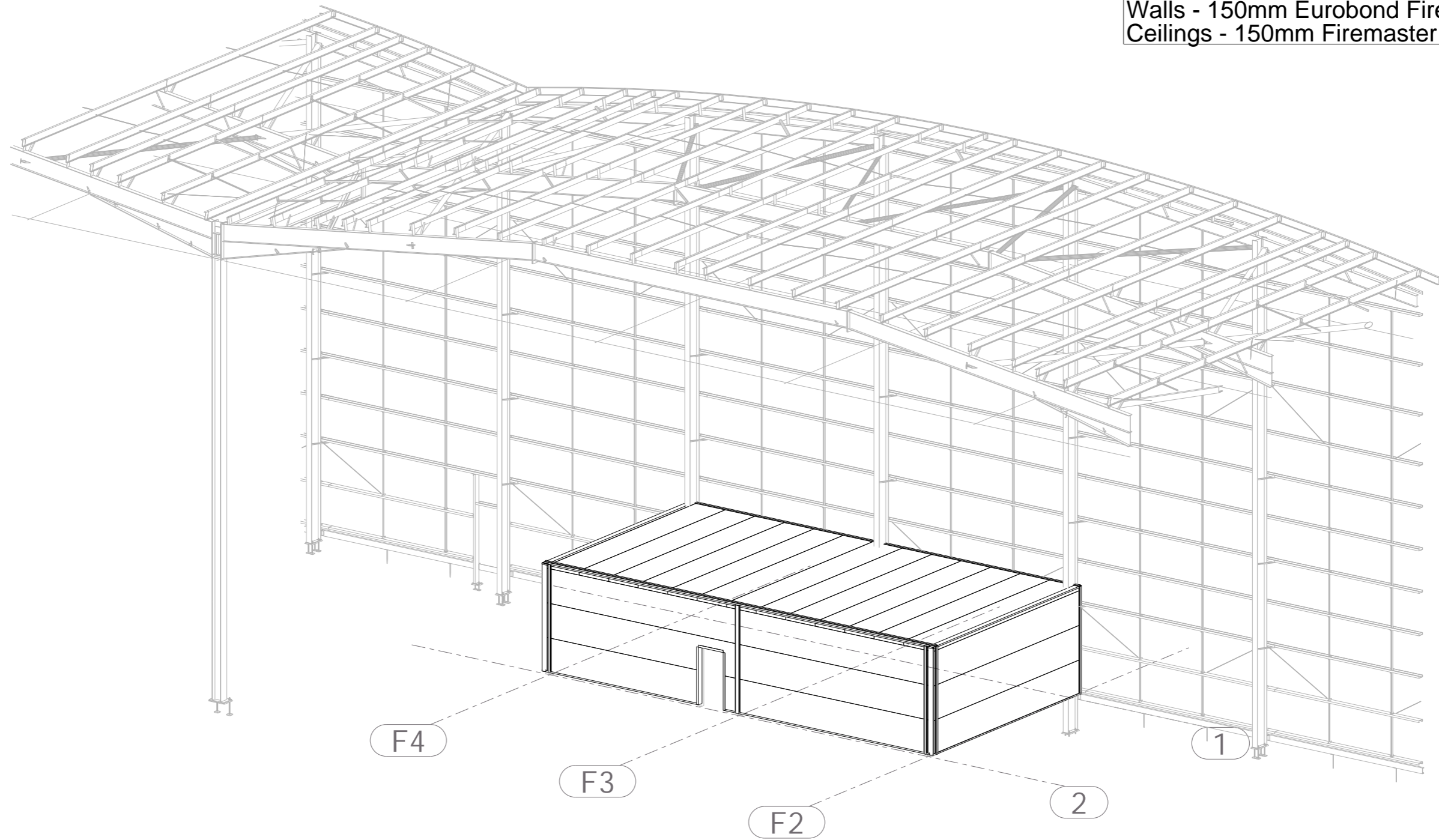
| REV MARK | REVISION DESCRIPTION | REVISION DATE |
|----------|----------------------|---------------|
| ZZ | As-built | 13.10.2023 |
| P01 | Prelim | 28.06.2023 |
| C01 | Construction Issue | 05.07.2023 |

Drawing Status : **As-Built**

| | | | | | | | |
|--|--|--|----------------------------|--|----------|--|-------------------------|
| <p>Fire Protection & Interior Services Specialist Contractor</p> | <p>Unit J2 Valley Way Welland Industrial Estate Market Harborough LE16 7PS</p> | <p>tel:01858 432222 email: info@ga-group.com www.ga-fireprotection.co.uk</p> | Client : Winvic | Contract No. : | Weight : | Drawn By : AC | Date : |
| | | | Project : Plot 4000 | Drawing Title : Typical Penetration detail | Scale : | Drawing Number : P22036-GAF-MO-ZZ-DR-X-0009 | Revision : ZZ |

Tekla Structures


SPECIFICATION:
 Walls - 150mm Eurobond Firemaster Wall Extra
 Ceilings - 150mm Firemaster Ceiling



3d

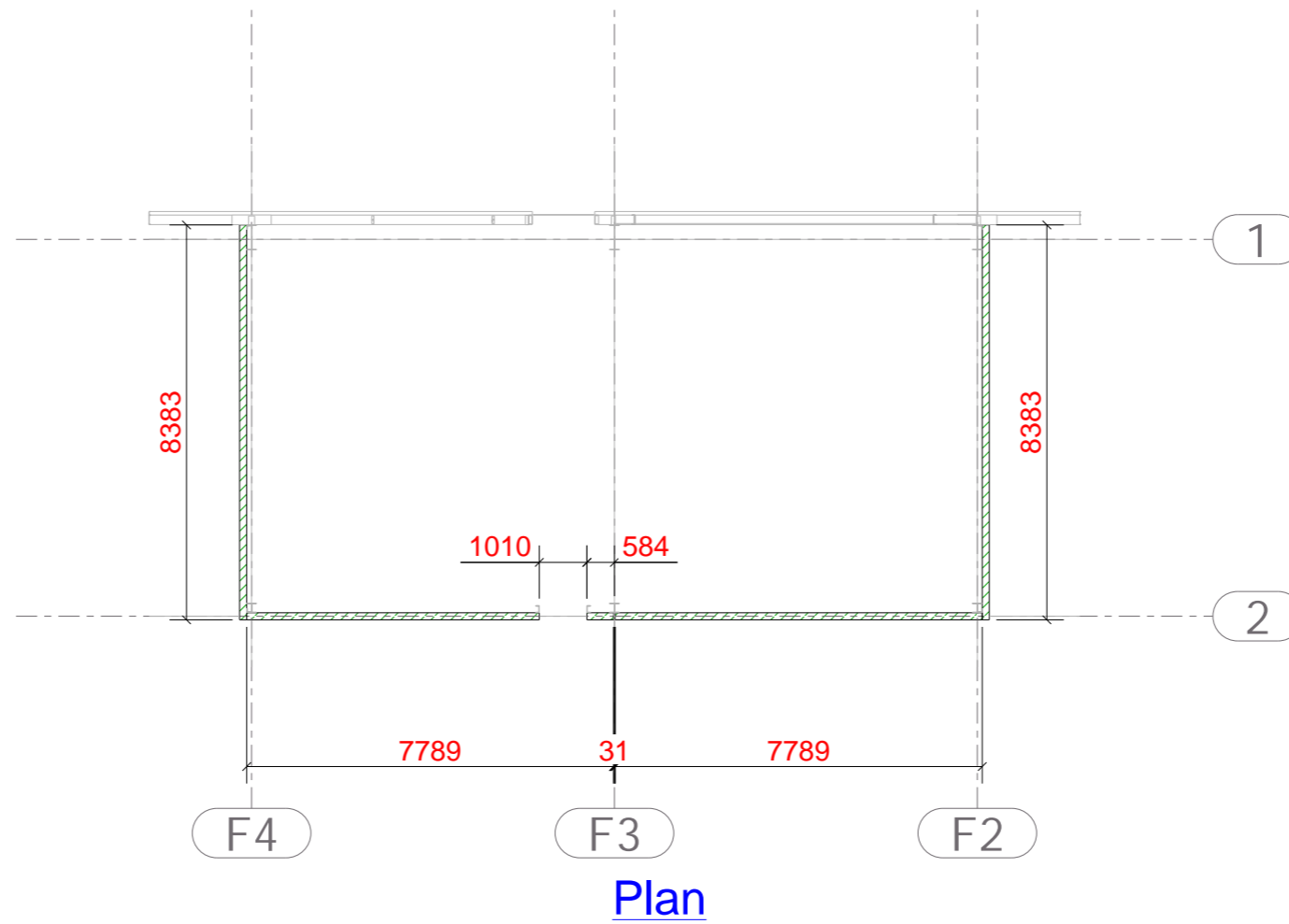
| REV MARK | REVISION DESCRIPTION | REVISION DATE |
|----------|----------------------|---------------|
| ZZ | As-built | 13.10.2023 |
| P01 | Prelim | 20.08.2023 |

Drawing Status : **As-Built**

| | | | | | | | |
|---|---|---|----------------------------|--|----------|--|----------------------|
|  Fire Protection & Interior Services Specialist Contractor | Unit J2 Valley Way Welland Industrial Estate Market Harborough LE16 7PS | tel:01858 432222 email: info@ga-group.com www.ga-fireprotection.co.uk | Client : Winvic | Contract No. : | Weight : | Drawn By : AC | Date : |
| | | | Project : Plot 4000 | Drawing Title : Welfare 3d View | Scale : | Drawing Number : P22036-GAF-MO-ZZ-DR-X-0010 | Revision : ZZ |


Tekla Structures

SPECIFICATION:
 Walls - 150mm Eurobond Firemaster Wall Extra
 Ceilings - 150mm Firemaster Ceiling

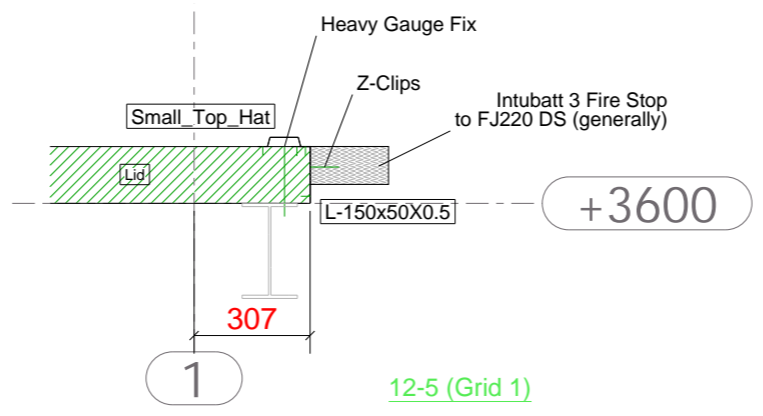
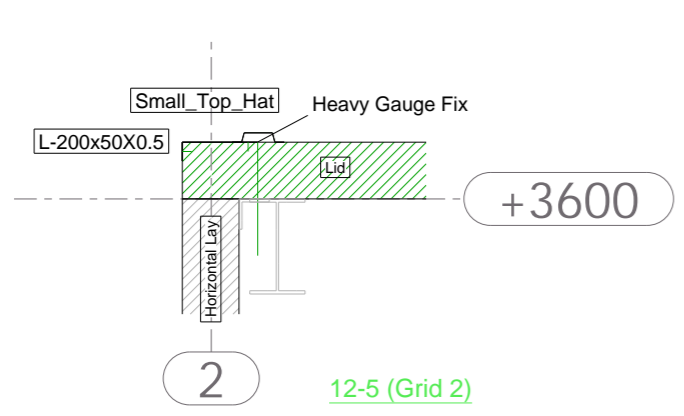
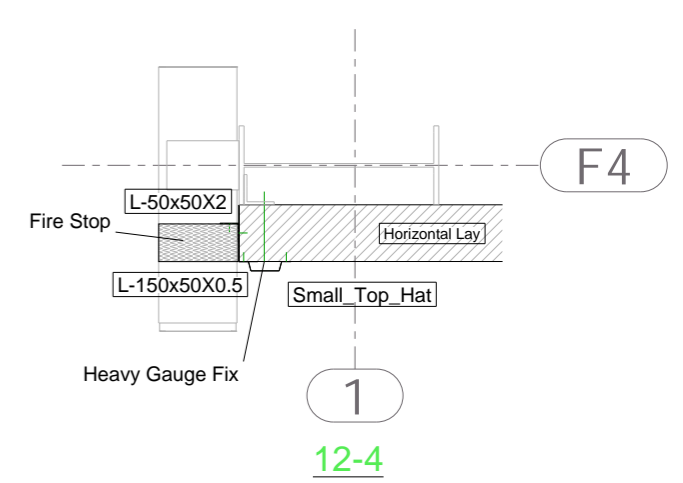
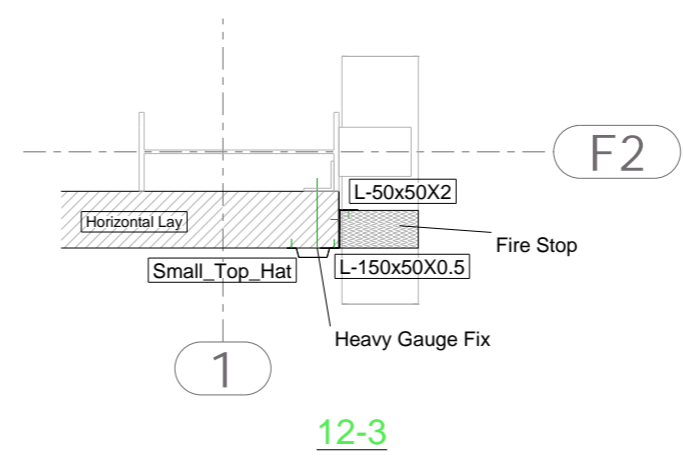
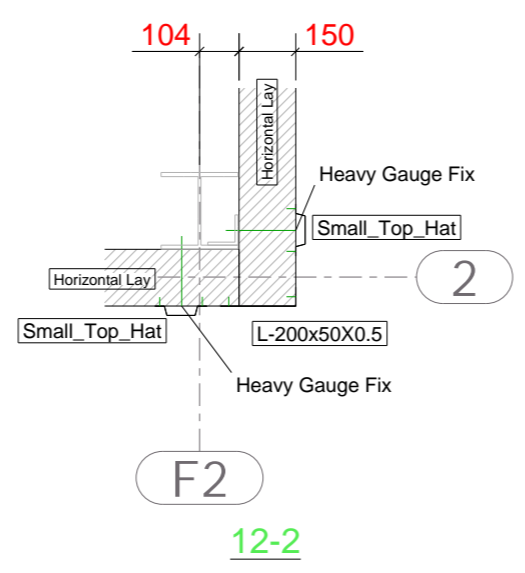
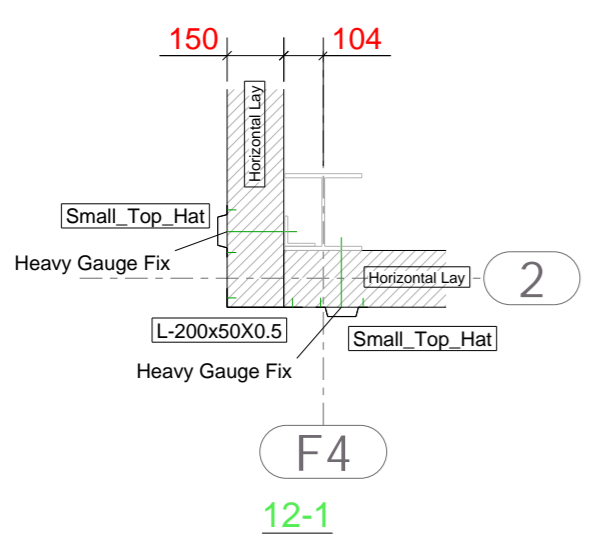
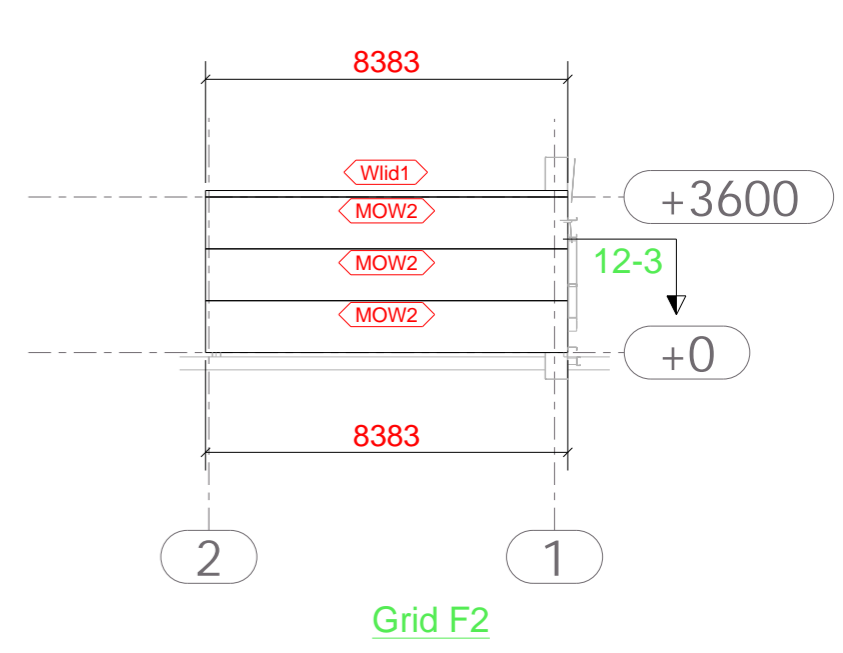
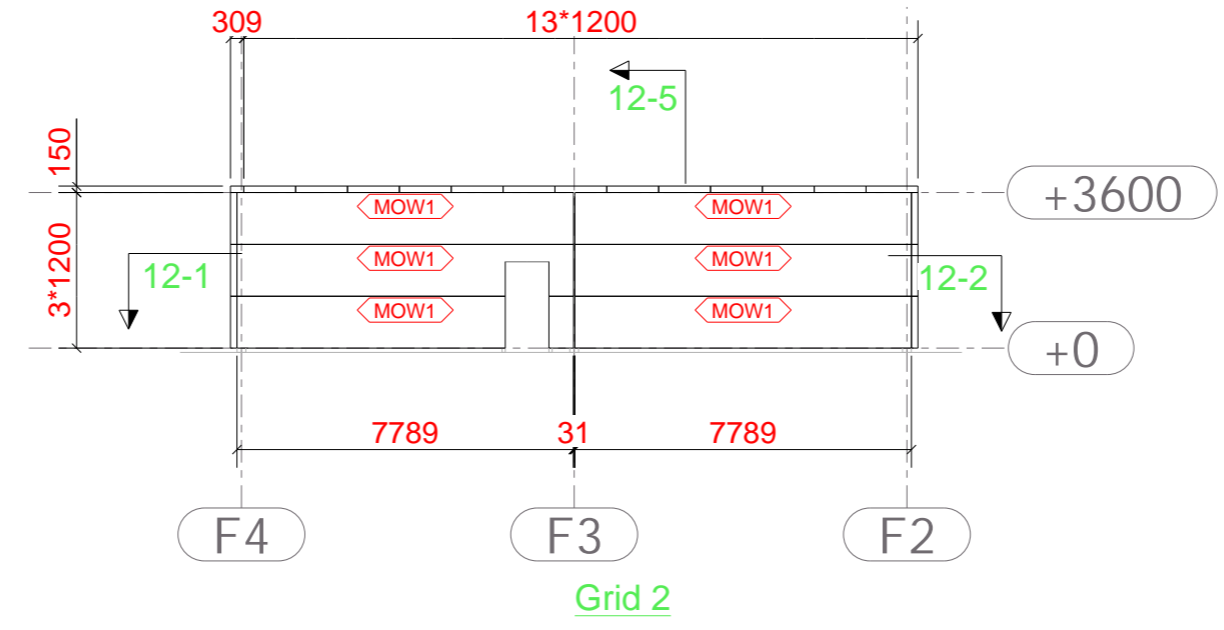
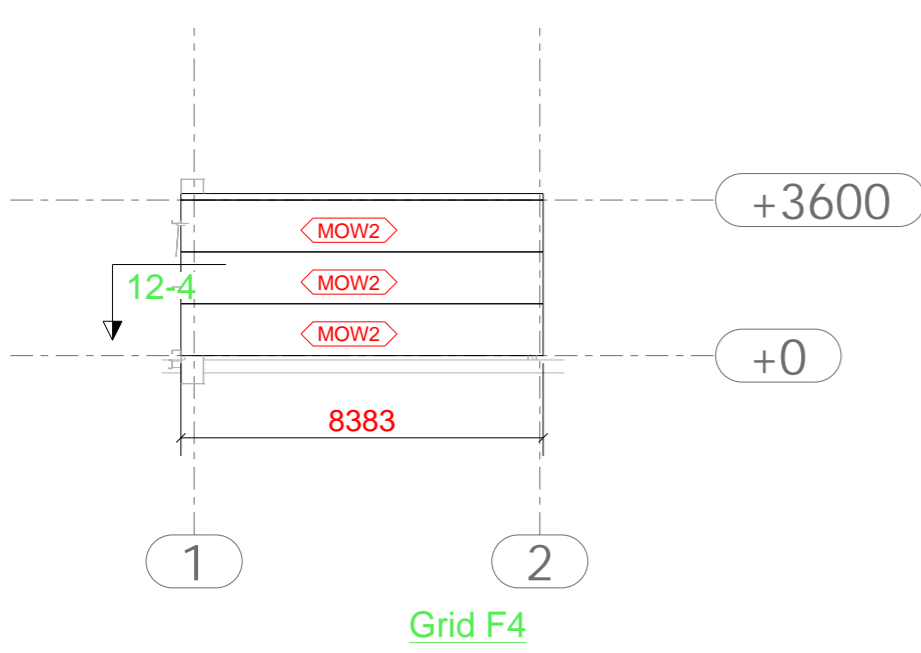


| REV MARK | REVISION DESCRIPTION | REVISION DATE |
|----------|----------------------|---------------|
| ZZ | As-built | 13.10.2023 |
| P01 | Prelim | 20.08.2023 |

Drawing Status : **As-Built**

| | | | | | | | |
|---|---|---|----------------------------|--------------------------------------|----------|--|----------------------|
|  Fire Protection & Interior Services Specialist Contractor | Unit J2 Valley Way Welland Industrial Estate Market Harborough LE16 7PS | tel:01858 432222 email: info@ga-group.com www.ga-fireprotection.co.uk | Client : Winvic | Contract No. : | Weight : | Drawn By : AC | Date : |
| | | | Project : Plot 4000 | Drawing Title : Welfare Plans | Scale : | Drawing Number : P22036-GAF-MO-ZZ-DR-X-0011 | Revision : ZZ |

Tekla Structures



SPECIFICATION:
 Walls - 150mm Eurobond Firemaster Wall Extra
 Ceilings - 150mm Firemaster Ceiling

| REV MARK | REVISION DESCRIPTION | REVISION DATE |
|----------|----------------------|---------------|
| ZZ | As-built | 13.10.2023 |
| P01 | Prelim | 20.08.2023 |

Drawing Status : **As-Built**

Tekla Structures
G&A Fire Protection & Interior Services Specialist Contractor
 Unit J2 Valley Way Welland Industrial Estate Market Harborough LE16 7PS
 tel:01858 432222 email: info@ga-group.com www.ga-fireprotection.co.uk

Client : **Winvic**
 Project : **Plot 4000**
 Contract No. :
 Drawing Title : **Welfare Elevations**
 Weight :
 Scale :
 Drawn By : **AC**
 Drawing Number : **P22036-GAF-MO-ZZ-DR-X-0012**
 Date :
 Revision : **ZZ**