

P23-027 The Range Stowmarket

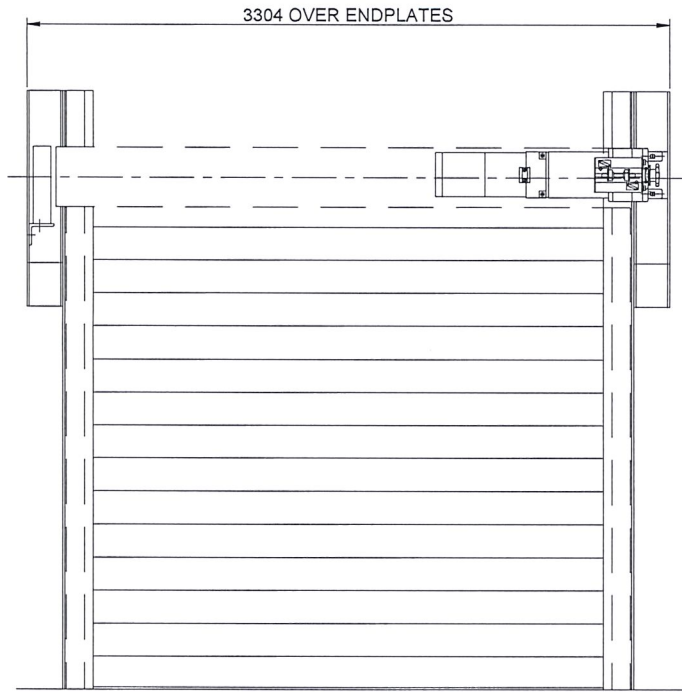
Drawing Register: Stertil

*Please note: All drawings listed below are hyperlinked to the drawings listed.
Please click on the drawing title to go directly to the drawing of your choice.*

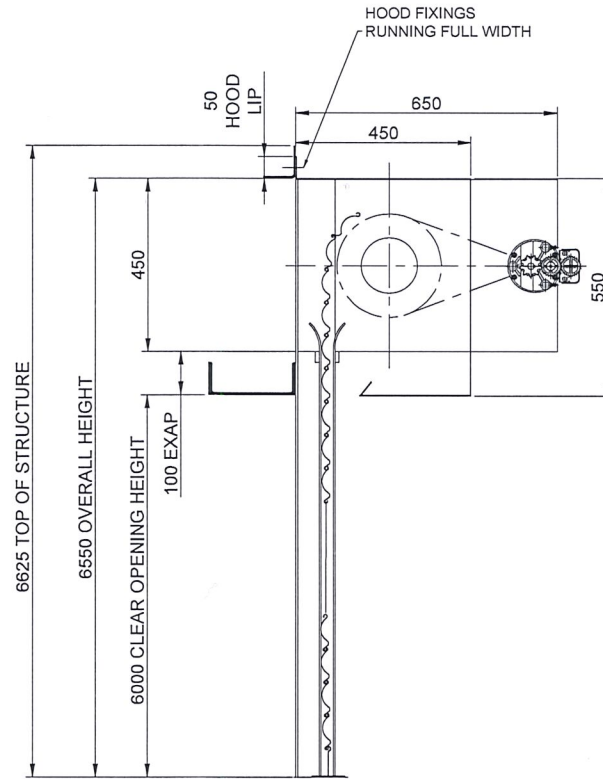
Works Completed: Level

Access Levellers & Personnel

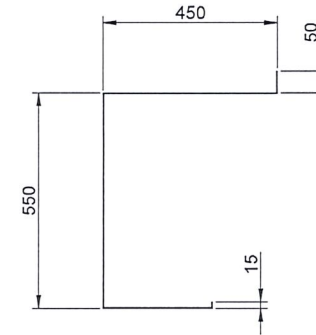
Drawing No.	Drawing Title	Rev
62026-01A	Std Right Hand Electric Operated Fire Protected Roller Shutter Door	AB



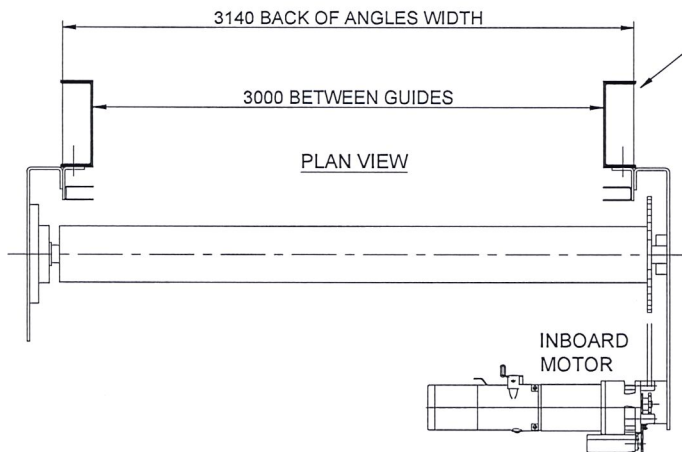
FRONT ELEV.



END ELEV.



HOOD PROFILE



PLAN VIEW

ALL INDICATIVE FIRE RATED STEEL DETERMINED & SUPPLIED BY OTHERS

FINISH REQUIRED	GALV
-----------------	------

FIRE RATING	2 HOUR
STRUCTURE	STEEL
QUANTITY	ONE
HANDING	RIGHT
WEIGHT kg	758

AS-BUILT

A	DRAWING AMENDED	06-06-24
REV	DESCRIPTION	DATE

ALL DIMENSIONS IN MILLIMETRES

HARDWARE REQUIRED	
MOTOR - JM500 3PH	YES
SAFETY BEARING - RSB 1/2	YES
BARREL - 127 x 3mm	YES
AUTO-RESET SOLENOID	YES
FUSIBLE LINK BACK UP	YES
STD PUSH BUTTONS	YES
HOOD	YES
MOTOR HOOD	YES
AUDIO VISUAL PANEL - FCP03	YES
REPEATER PANEL - FCP03	YES
EXTENDED ENDPLATES & HOOD (EXAP)	YES

CONTRACT No.	62026	CLIENT:	STERIL
DATE:	05-06-24	DESCRIPTION:	STD RIGHT HAND ELECTRIC OPERATED FIRE PROTECTED ROLLER SHUTTER DOOR
PROJECTION	FIRST ANGLE	SITE/REF:	STOWMARKET
CHECKED BY: MM		DWG No.	62026-01A